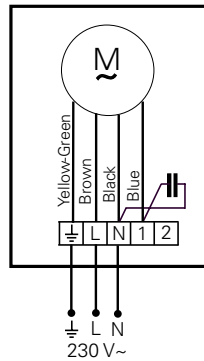


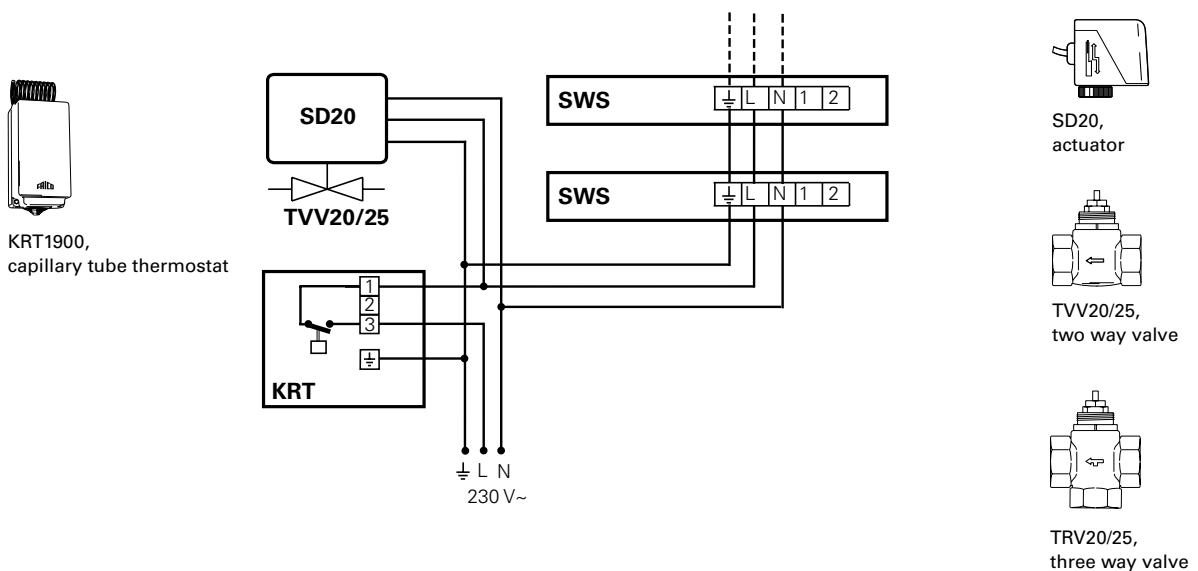
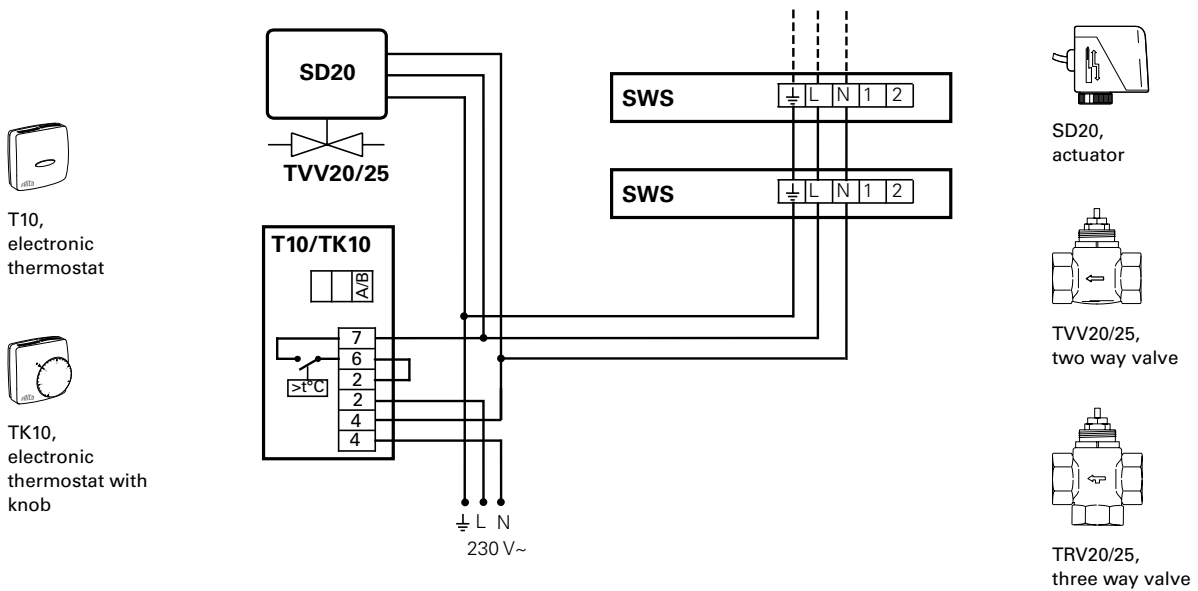
Wiring diagrams

SWS 230V~

Internal wiring diagram



Control by thermostat only



Fan heater SWS

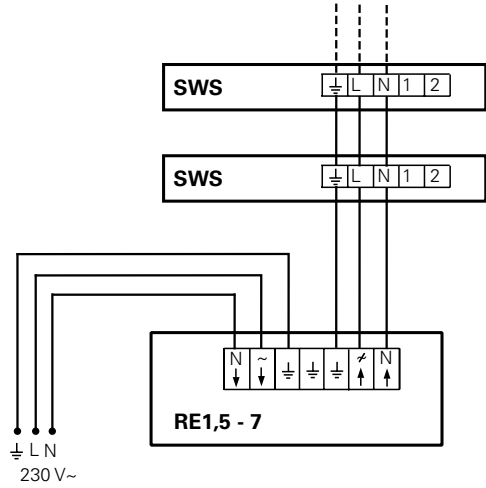
Wiring diagrams

SWS 230V~

5-step control of airflow only



RE1,5-7,
5-step control



Thermostat and 5-step control



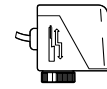
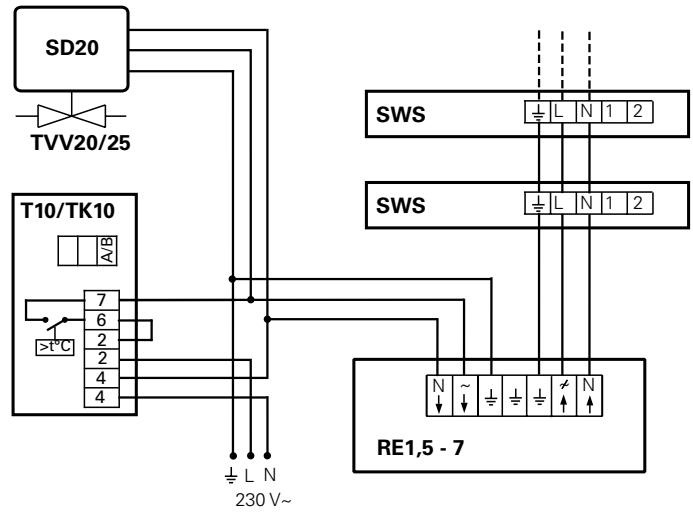
T10,
electronic thermostat



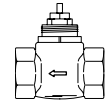
TK10,
electronic thermostat
with knob



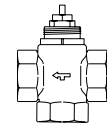
RE1,5-7,
5-step control



SD20,
actuator



TVV20/25,
two way valve



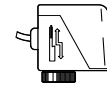
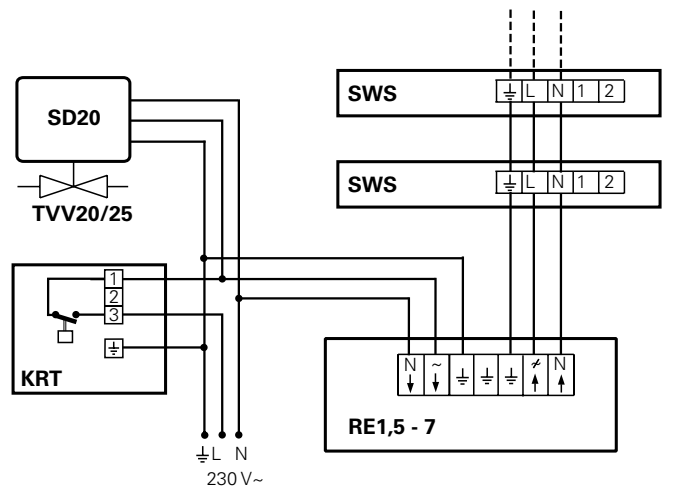
TRV20/25,
three way valve



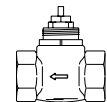
KRT1900,
capillary tube
thermostat



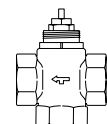
RE1,5-7,
5-step control



SD20,
actuator



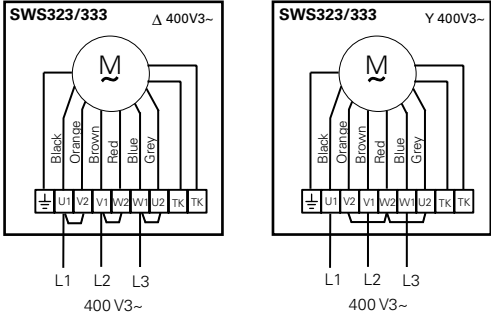
TVV20/25,
two way valve



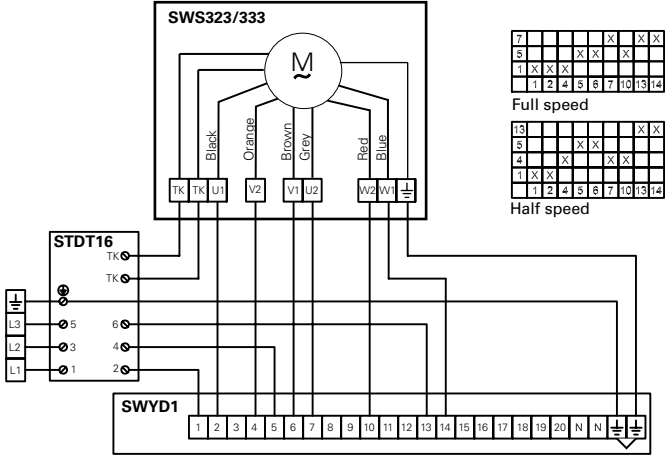
TRV20/25,
three way valve

Wiring diagrams
SWS 400V3~

Internal wiring diagram



2-step control of airflow only



Fan heater SWS

Wiring diagrams

SWS 400V3~

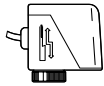
Thermostat and 2-step control



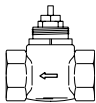
T10, electronic thermostat



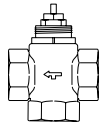
TK10, electronic thermostat with knob



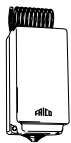
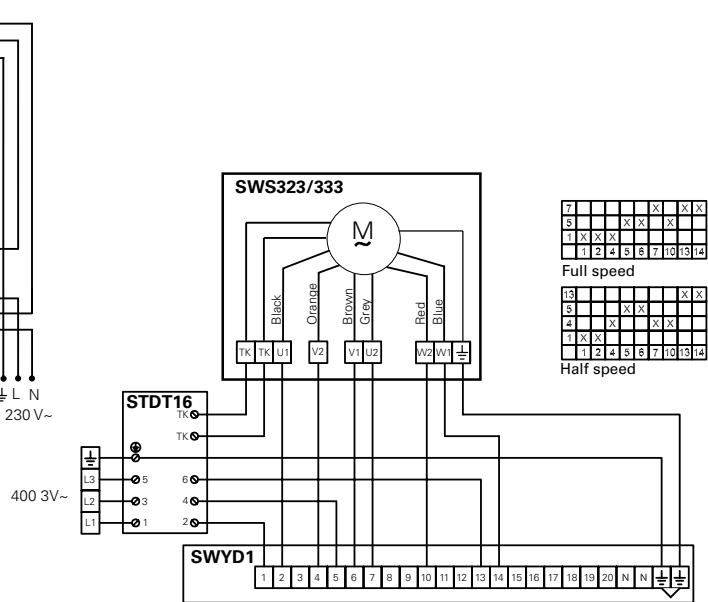
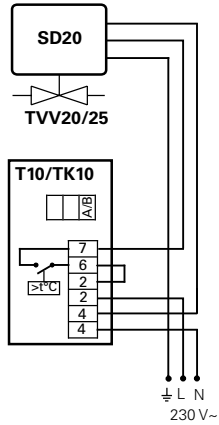
SD20, actuator



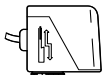
TVV20/25, two way valve



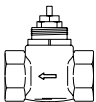
TRV20/25, three way valve



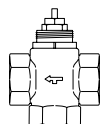
KRT1900, capillary tube thermostat



SD20, actuator



TVV20/25, two way valve



TRV20/25, three way valve

