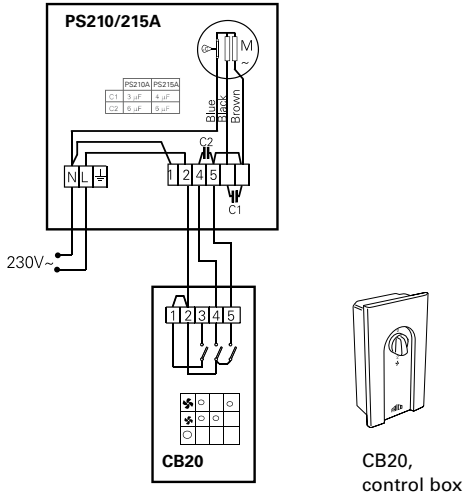


Portier

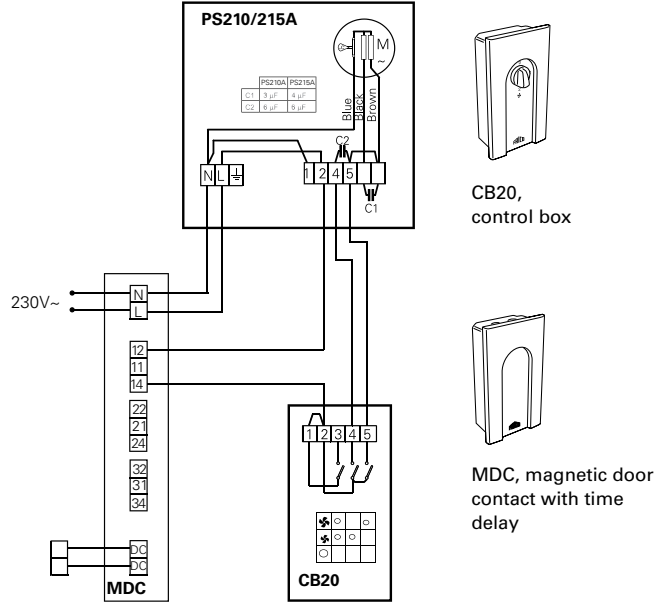
Wiring diagrams

Control options for units without heat

Level 1

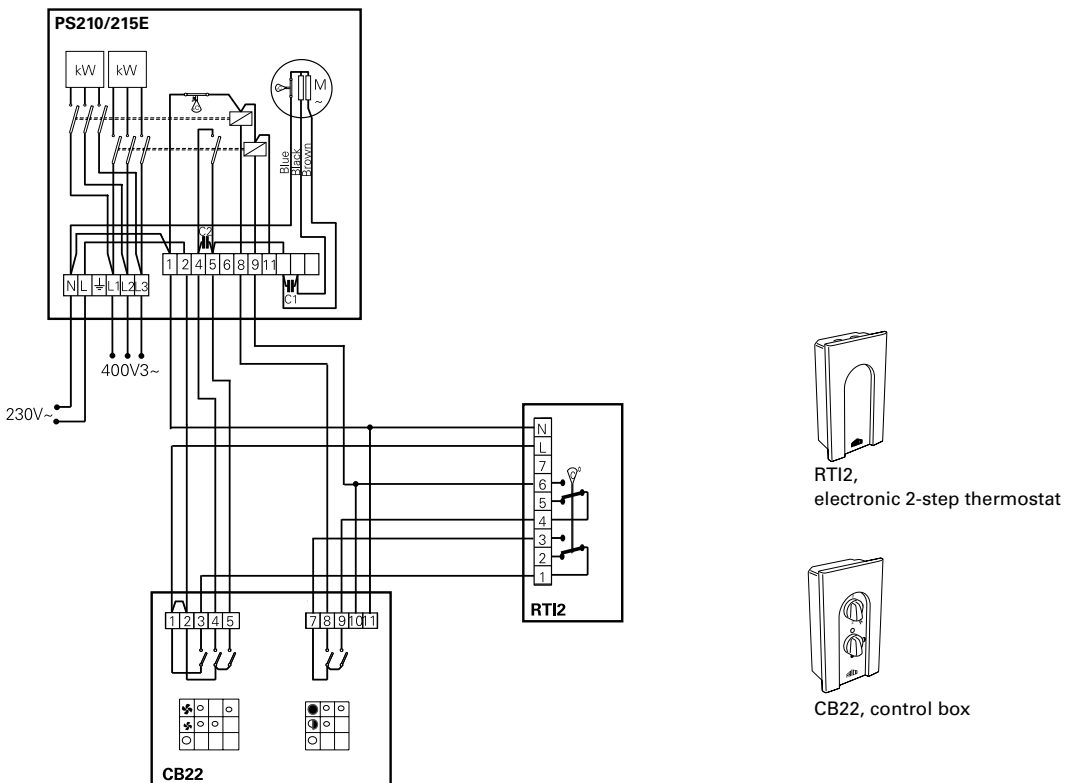


Level 2



Control options for electrically heated units

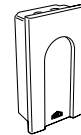
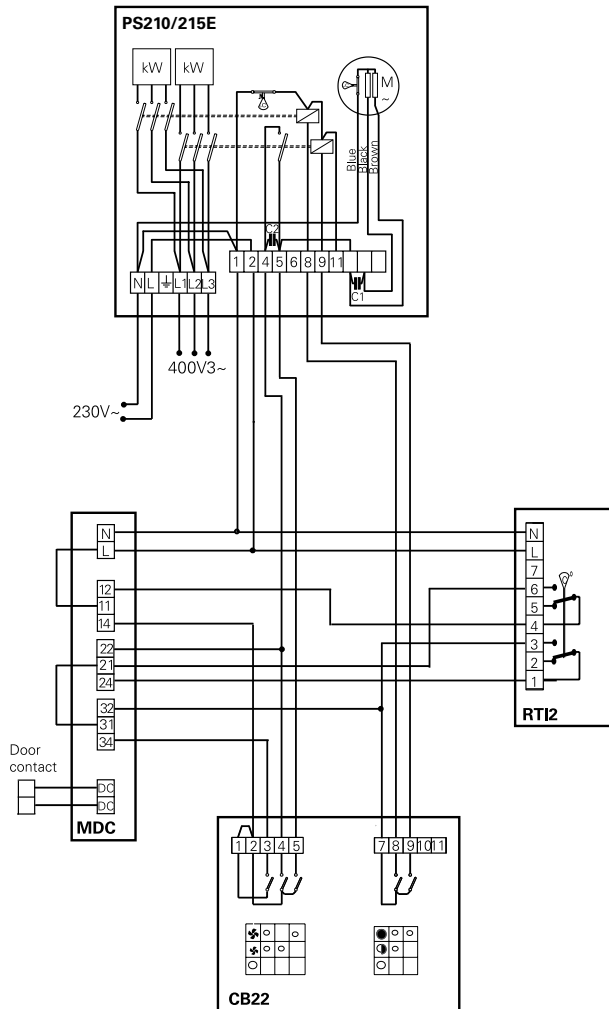
Level 1



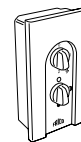
Wiring diagrams

Control options for electrically heated units

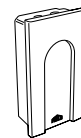
Level 2



RT12,
electronic 2-step
thermostat



CB22, control box



MDC, magnetic door
contact with time
delay