

Thermostats



T10S TK10S TKS16(400) TD10

T, TK, TD, basic offer thermostats
Processor controlled thermostats for room/floor heating.
Available with concealed/visible knob or digital display.
Model with visible knob also available with switch and in 400 V.

On/off control (for slow systems) or proportional control (for faster systems) in the same thermostat.
TD10 has adjustable P-band and time of cycle.

Internal and/or external sensors (external sensor RTS01 available as an accessory) give the possibility of selecting the sensor function e.g limiting external sensors (min/max). Save reduction either by built-in manual switch or via external timer. CE compliant.



RTI2 RTI2V RTS01

RTI2, electronic 2-step thermostats
Processor controlled 2-step thermostats for room heating /cooling. Available with concealed or visible knob. Adjustable temperature difference between the steps (1–10 degrees). Save reduction via external connection timer (1–10 degrees). External sensor (RTS01) available as an accessory.
High protection class (IP44). CE compliant.

RTS01, external sensor (accessory)
External sensor of NTC-type 10 Kohm. 3 m cable included.



KRT1900/1901 KRT2800 KRTV19

KRT, capillary tube thermostats
Capillary tube thermostats for room heating/cooling.
Available with concealed and visible knob, and control in 1 or 2 steps. KRT2800 controls in 2 steps and has adjustable temperature difference between the steps (1–4 degrees). KRT1901 has a temperature range of -35–+10 °C. High protection class (IP44 resp. IP55).
CE compliant.



TBK10 TBKS10

TBK, bimetal thermostats
Mechanical bimetal thermostats with acceleration resistance for room heating/cooling. TBKS10 also has a 1-pole switch. CE compliant.

Technical specifications

Type	Voltage (supply)	Max input	Setting range	Limit floor heating	Save reduction	Proportional control*	Static differential	Protection class	Dimensions HxWxD
	[V]	[A]	[°C]	[°C]	[K]	[K/min]	[K]		[mm]
T10S	230V~	10	5-30	10-40	-4	2K/10min	0,5	IP30	80x80x31
TK10S	230V~	10	5-30	10-40	-4	2K/10min	0,5	IP30	80x80x31
TKS16	230V~	16	5-30	10-40	-4	2K/10min	0,5	IP30	80x80x39
TKS16400	400V2~	16	5-30	10-40	-4	2K/10min	0,5	IP30	80x80x39
TD10	230V~	10	5-37	5-37	Adjustable	Adjustable	0,3	IP30	80x80x31
RTI2	230V~	16/10, 230/400V~	5-35	-	Adjustable	-	0,5	IP44	155x87x43
RTI2V	230V~	16/10, 230/400V~	5-35	-	Adjustable	-	0,5	IP44	155x87x43
KRT1900	-	16/10, 230/400V~	0-40	-	-	-	1,0	IP55	165x57x60
KRT1901	-	16/10, 230/400V~	-35+10	-	-	-	1,0	IP55	165x57x60
KRTV19	-	16/10, 230/400V~	0-40	-	-	-	1,0	IP44	165x57x60
KRT2800	-	16/10, 230/400V~	0-40	-	-	-	1,0	IP55	165x57x60
TBK10	230V~	10	5-30	-	-	-	0,5	IP30	85x82x39
TBKS10	230V~	10	5-30	-	-	-	0,5	IP30	80x80x43

*) P-band [K]/time of cycle [min]

Products beginning with T can be read as follows: K=knob, S=switch, D= digital display, B=bimetal.

Functions

	Basic offer				Electronic 2-step		Capillary tube			Bimetal	
	T10S	TK10S	TKS16(400)	TD10	RTI2	RTI2V	KRT1900/1901	KRTV19	KRT2800	TBK10	TBKS10
Internal sensor	X	X	X	X	X	X	X	X	X	X	X
External sensor	X*1	X*1	X*1	X*1	X*1	X*1					
Save reduction	X*2	X*2	X*2	X*2	X*2	X*2					
1-pole switch			X								X
Volt free contact	X	X	X	X	X	X	X	X	X		
Contact, 1-pole closing	X	X		X							
Contact, 1-pole alternating			X		X		X	X	X	X	X
Digital display				X							
Advanced extra functions*3				X							
Internal setting	X				X		X		X		
Processor controlled	X	X	X	X	X	X					
Bimetal acc.resistor										X	X
Capillary tube							X	X	X		
Fits wall box system	X	X	X	X						X	X
Heating or cooling function	X	X	X	X	X	X	X	X	X	X	X
2-step					X	X			X		
Adjustable temp.diff. between the steps					X	X			X		

*1) External sensor (RTS01) as accessory.

*2) Can be used with an external timer.

*3) See manuals on www.frico.se.

Thermostats

Wiring diagrams

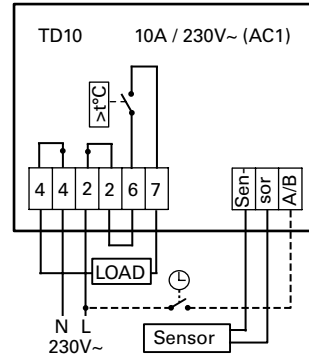
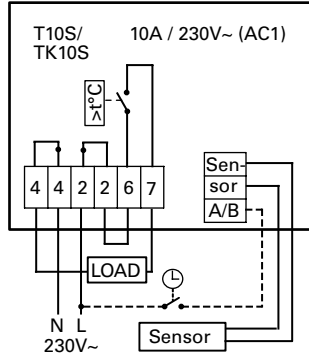
T, TK, TD, basic offer thermostats



T10S



TK10S



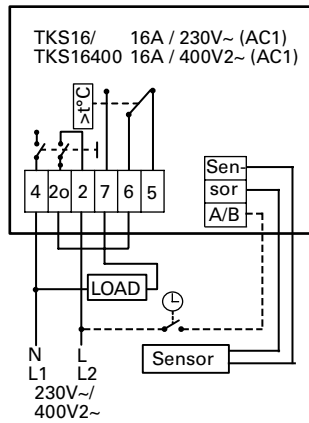
TD10



TKS16



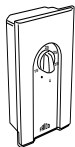
TKS16400



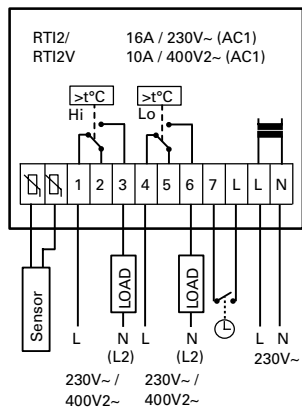
RTI2, electronic 2-step thermostats



RTI2

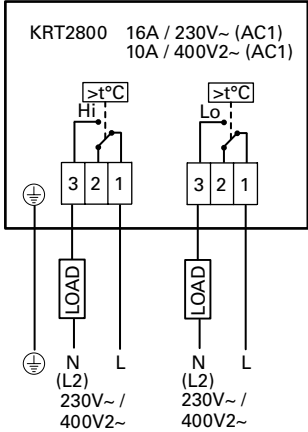
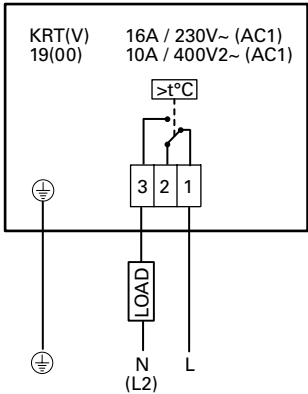


RTI2V

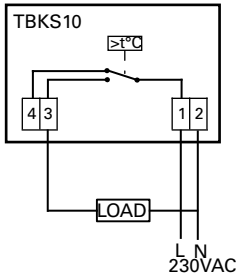
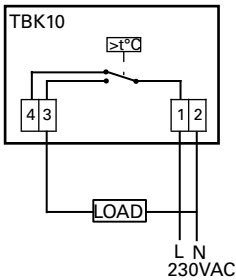
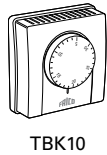


Wiring diagrams

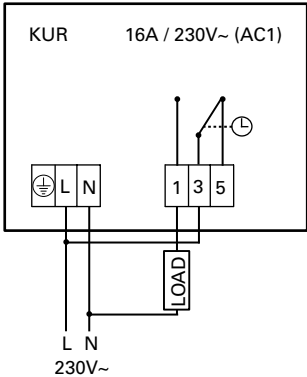
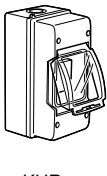
KRT, capillary tube thermostats



TBK, bimetal thermostats



KUR, digital time switch



CBT, electronic timer

