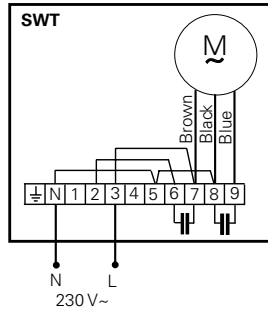


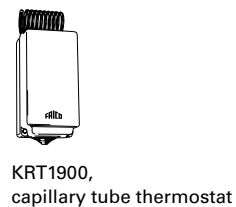
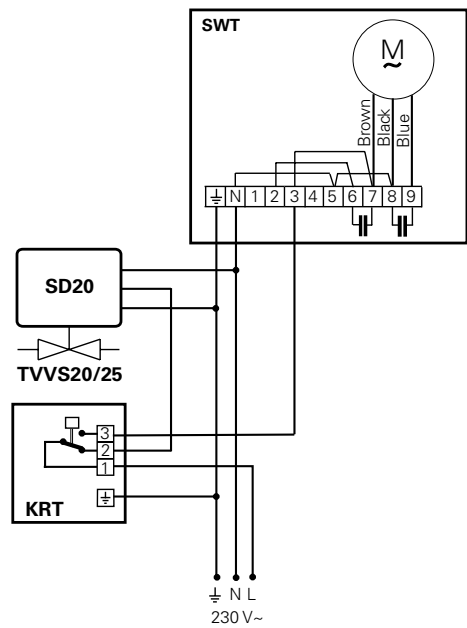
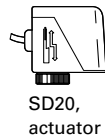
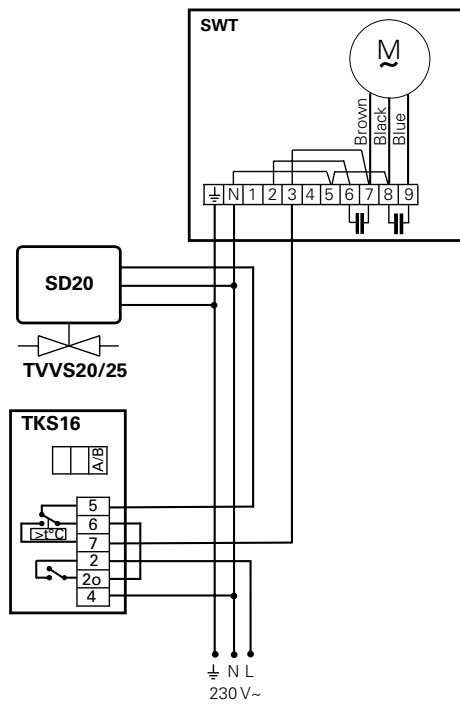
Fan heater SWT

Wiring diagrams

Internal wiring diagram

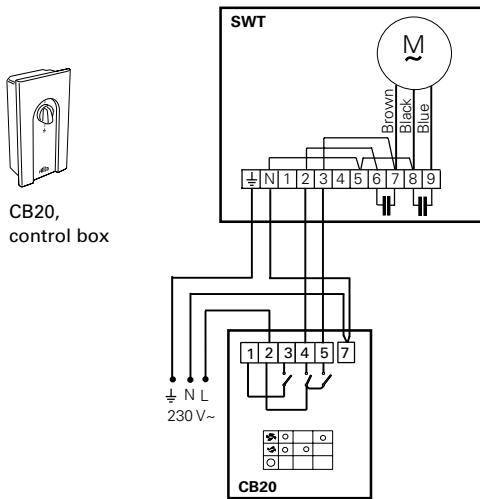


Control by thermostat only



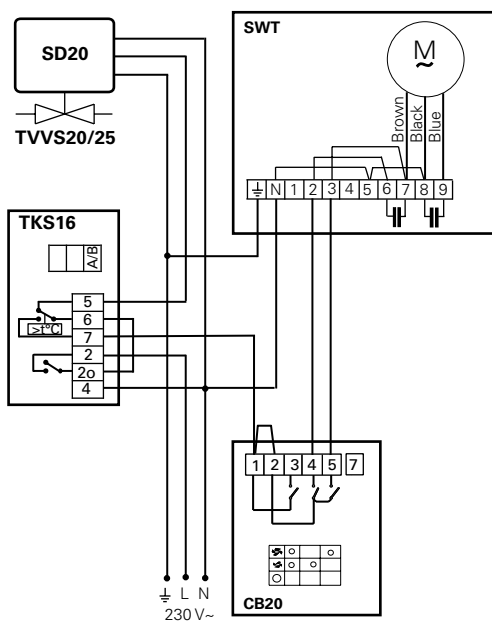
Wiring diagrams

2-step control of airflow only



CB20,
control box

Thermostat and 2-step control

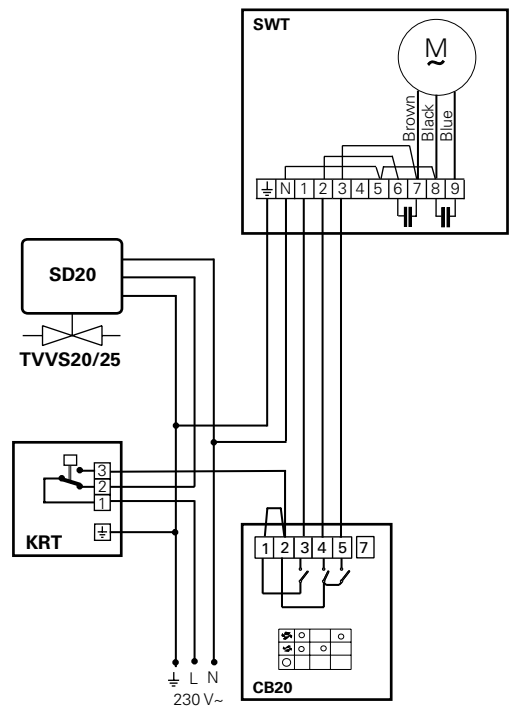


CB20,
control box

TKS16,
electronic
thermostat

SD20,
actuator

TVVS20/25,
two way valve



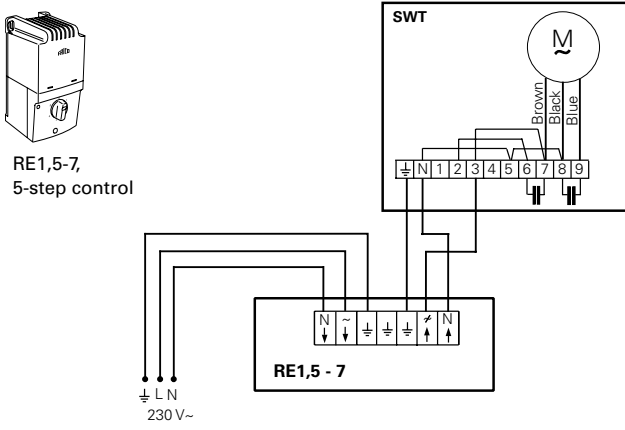
CB20,
control box

KRT1900,
capillary tube thermostat

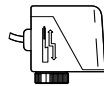
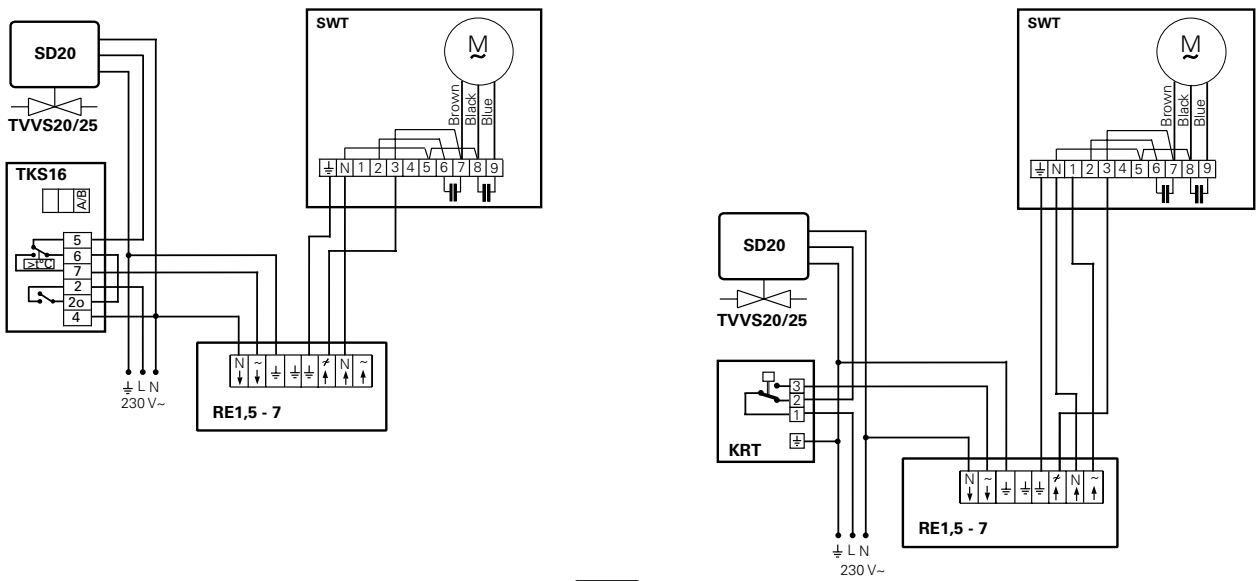
Fan heater SWT

Wiring diagrams

5-step control of airflow only



Thermostat and 5-step control



SD20,
actuator



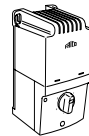
RE1,5-7,
5-step control



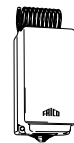
TKS16,
electronic
thermostat



TVVS20/25,
two way valve



RE1,5-7,
5-step control



KRT1900,
capillary tube thermostat