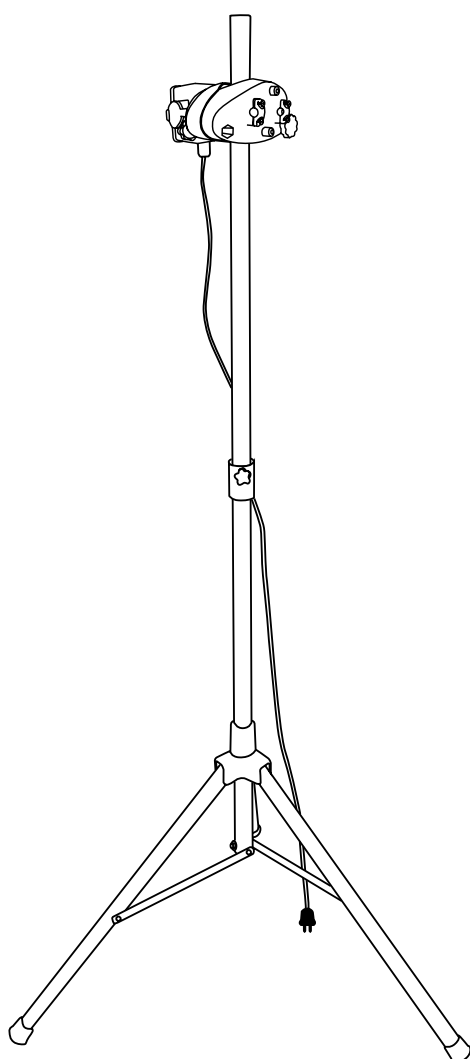


Original instructions

## ELIRSTP



SE ... 3

GB ... 4

NO ... 5

FR ... 6

DE ... 7

ES ... 8

NL ... 9

IT ... 10

RU ... 11

PL ... 12

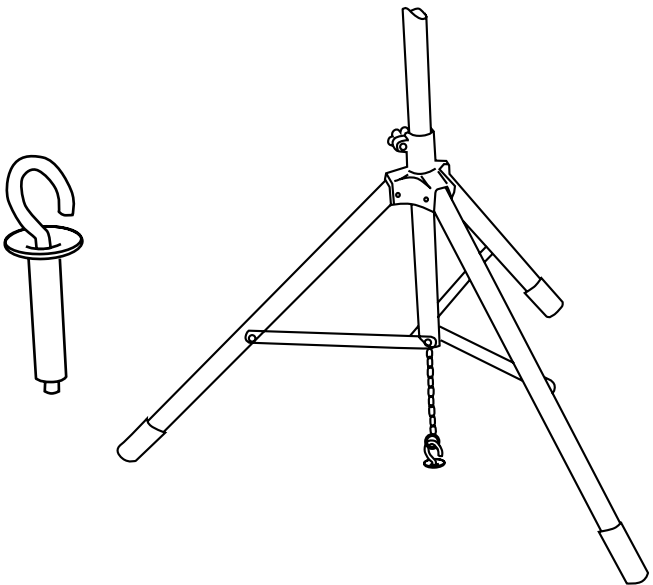


Fig. 1

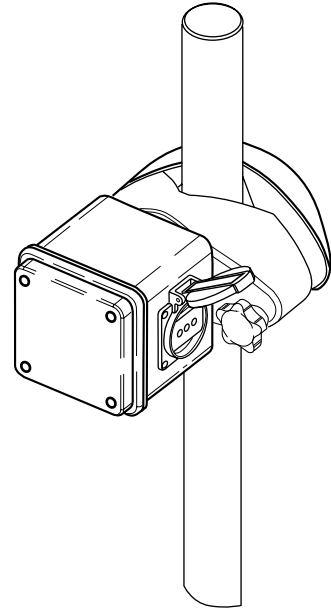


Fig. 2 Mounting on bracket

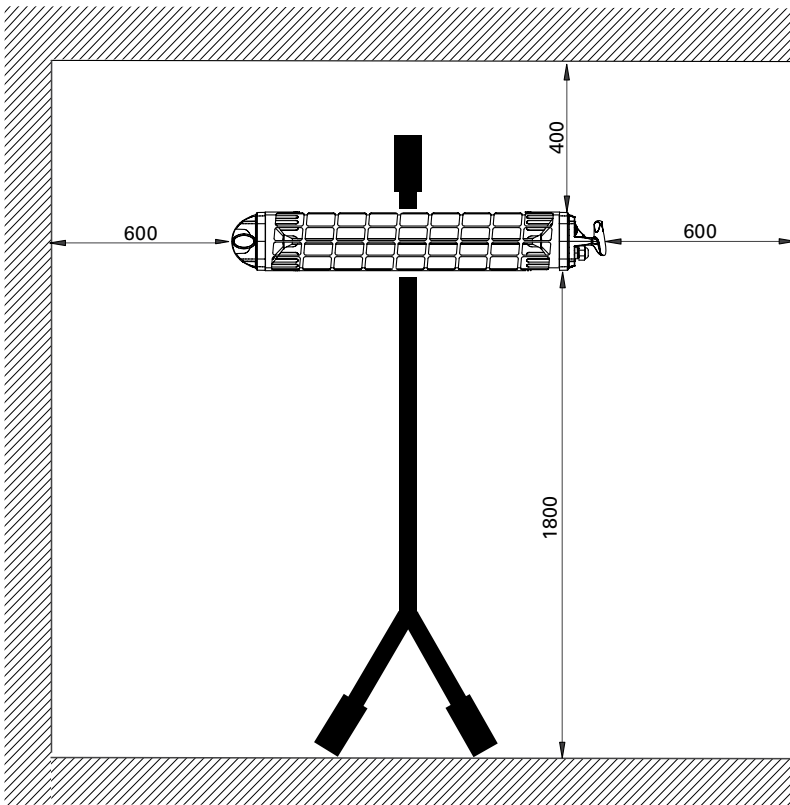
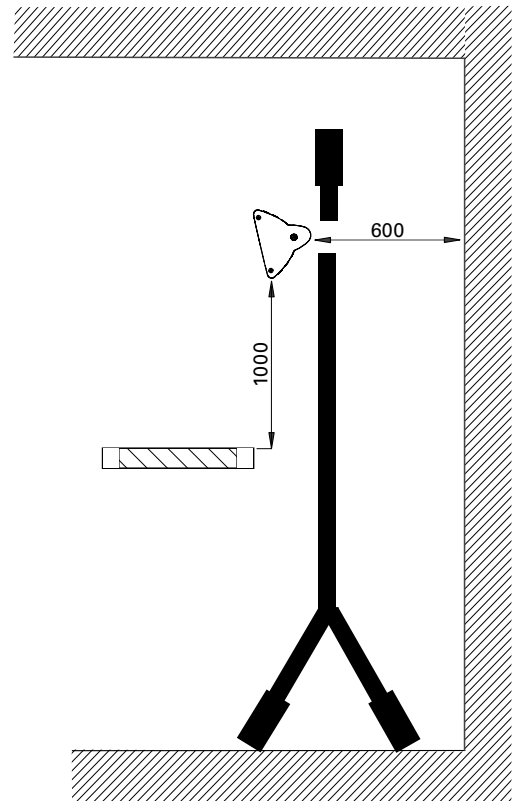


Fig. 3 Minimum mounting distance



## Assembly and operating instructions

### General Instructions

Read these instructions carefully before installation and use. Keep this manual for future reference.

*The product may only be used as set out in the assembly and operating instructions. The guarantee is only valid if the product is used in the manner intended and in accordance with the instructions. The stand is intended exclusively for use together with ELIR radiant heaters or equivalent.*

After unpacking, make sure that the appliance is complete and shows no signs of visible damage or tampering.

This appliance is not intended for use by persons (including children) with reduced physical, sensory or mental capabilities, or lack of experience and knowledge, unless they have been given supervision or instruction concerning use of the appliance by a person responsible for their safety. Children should be supervised to ensure that they do not play with the appliance.

Do not make modifications to the product that could compromise the safety.

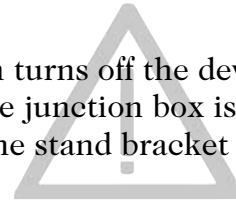
### Positioning (with heater)

- The stand must be positioned on a stable and solid, horizontal surface.
- Secure the anchor screw in the ground at the chosen location.
- Extend the feet to reach the white line on the bottom of the tube.
- Hook the ring of the chain to the screw anchor.
- Open the legs of the stand until the junction reaches the white line so the chain is tightened (fig. 1).
- The heaters must always be installed horizontally, using only the mounting brackets provided.
- For minimum measurements, see fig. 3.

For assembly and the installation of the heater, see the separate manual.

### Tilt switch

The tilt switch turns off the device if the stand falls. The junction box is supplied ready mounted on the stand bracket (fig. 2).



### Mounting the tilt switch on the stand

Open the two knobs then mount the switch on the stand at the desired height, and retighten the knobs.

Ensure that the supply cable is correctly installed mounted and that it does not come into contact with the reflector of the heater and that it is not in the heated area. The supply cable can be fixed to the metal pipe behind the reflector with cable ties.





**Main office**

Frico AB  
Box 102  
SE-433 22 Partille  
Sweden

Tel: +46 31 336 86 00

mailbox@frico.se  
www.frico.se

**For latest updated information and information  
about your local contact: [www.frico.se](http://www.frico.se)**