



Halogen infrared heater ELIR

For outdoor applications where a high flexibility is desired

ELIR gives an intense heat suitable for all outdoor applications and rough industrial premises. While ELIR is light, stable and portable it is well suited for temporary heating on building sites and at customer events. With its concentrated heat it is a good complement to dehumidifiers for drying in areas damaged by water. High protection class (IP65) makes it possible to use the heater in almost any environment.

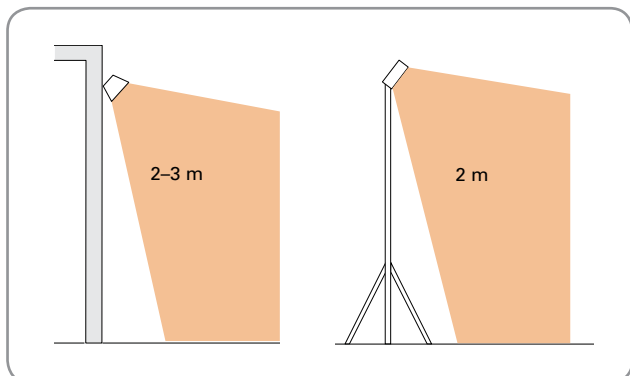
ELIR has a thorough design in a compact format. Simple, robust and light (1 kg). ELIR has no protective glass which means 10–15 % higher efficiency compared to a heater with glass with the same protection class.

- All parts are anti-corrosive.
- Wall bracket included. Stand and chains for ceiling installation are available as accessories.
- Casing/reflectors of high-gloss polished aluminium with maximum resistance against corrosion.
- Grey terminal boxes of heat and weather resistant plastic. Colour: RAL 7035.

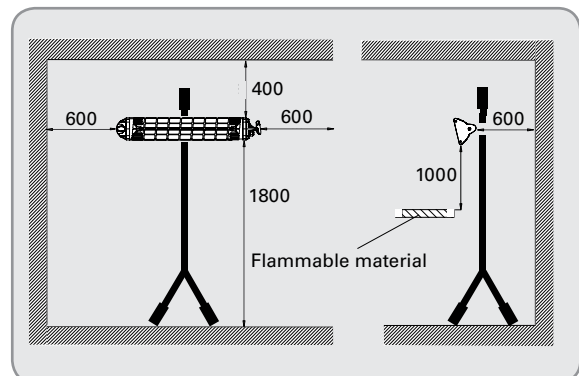
Halogen infrared heater ELIR (IP65)

Type	Heat output [W]	Voltage [V]	Amperage [A]	Max. lamp temperature [°C]	Dimensions LxHxW [mm]	Weight [kg]
ELIR12	1200	230V~	5,2	2000	712x112x83	1,0

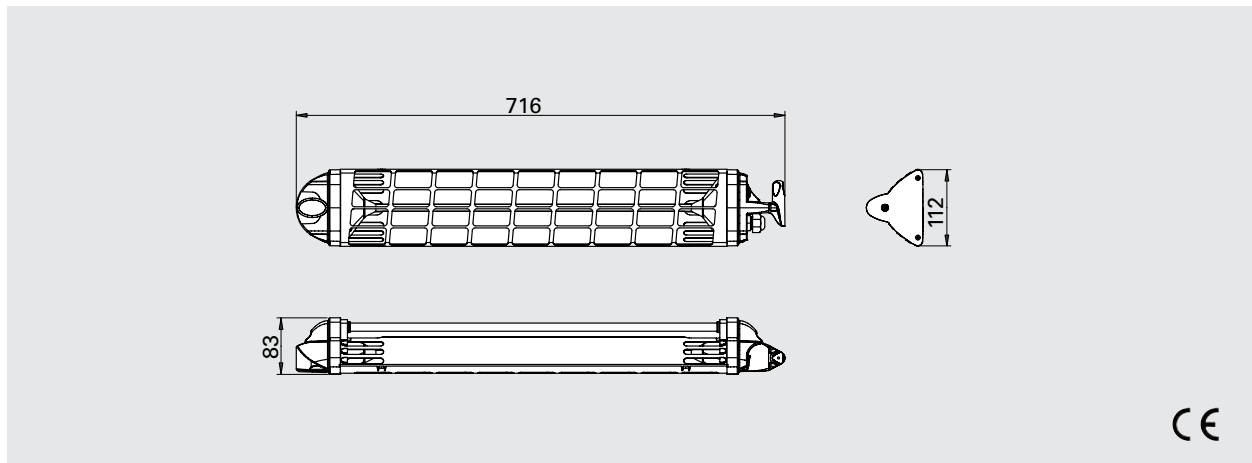
Installation height



Minimum distances



Dimensions



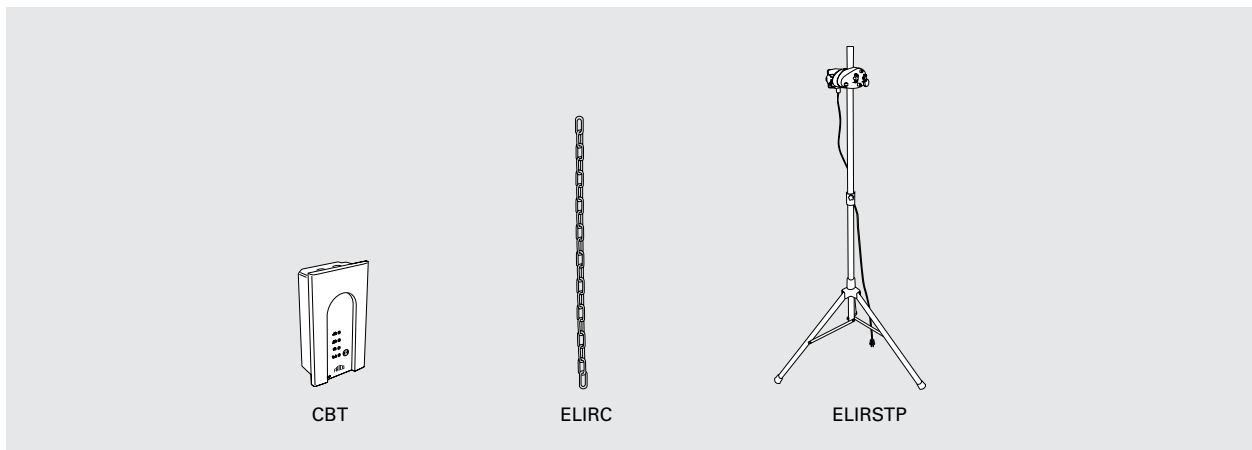
Mounting

ELIR is installed horizontally on a stand, on a wall or suspended by chains. The angle of the heater can be adjusted for optimum comfort. Wall bracket included. Stand and chains for ceiling installation are available as accessories.

Connection

ELIR is intended for both portable use and permanent installation. Cable and plug are included in delivery.

Accessories



Type	Description	HxWxD [mm]
CBT	Electronic timer	155x87x43
ELIRC	Chain for ceiling mounting	L: 2500
ELIRSTP	Floor stand for portable use	H: 2000
IREL12	Extra lamp	

For further information and options, see the "Controls" section.