



SWX C/D



SWX EX/H



## Fan heater SWX

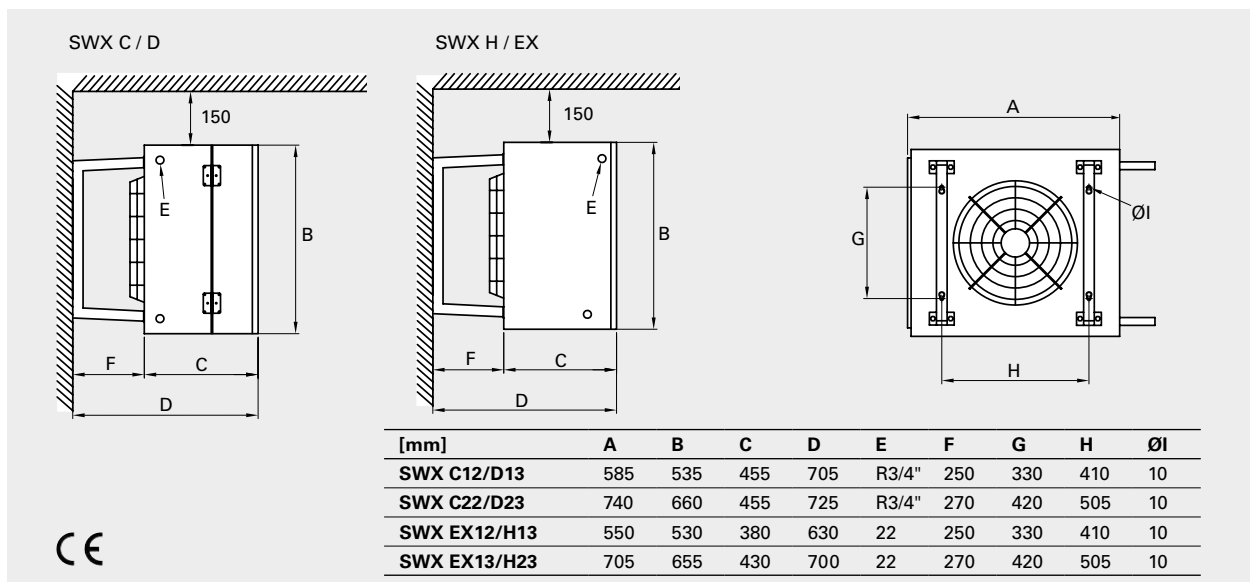
Fan heater for harsh environments, water connection

SWX is a range of fan heaters suitable for environments with strict demands on materials and safety. Models are available for use in dusty or corrosive environments, in rooms with high temperatures as well as in environments where there is risk of explosion.

Fan heater SWX has a robust design, adapted to the requirements of harsh environments. Supplied with air director with individually adjustable louvres that direct the air flow on one plane. The front of SWX C and SWX D can be opened for easy cleaning. SWX EX and SWX H have an inspection hatch with quick release.

- Fan heater SWX is available in four versions:
  - **SWX C** is intended for corrosive and damp environments, e.g. offshore and chemical industries. Casing, air deflector grille and bracket made of acid-proof stainless steel (EN 1.4404). Water coil with acid proof stainless steel pipe. Aluminium fins with nano-coating. IP65.
  - **SWX D** has been specially introduced for dusty environments, such as industrial and joinery premises. Casing air deflector grille and bracket made of acid proof stainless steel (EN 1.4404). Water coil with copper pipe. Aluminium fins with a fin gaps of 4.2 mm, to minimize the risk of dust and particles blocking the coil. IP65.
  - **SWX EX** is designed for environments with a temporary explosion risk (Zone 1/2). Casing in stainless steel (EN 1.4016). Water coil with copper pipe. Aluminium fins. IP44.
  - **SWX H** is intended for rooms with high temperatures, up to 70 °C, such as in the drying and curing industry as well for decontamination. Casing in stainless steel (EN 1.4016). Water coil with copper pipe. Fins made of hydrophilic coated aluminium for easier cleaning and improved durability. IP65.
- Delivered with brackets for wall or ceiling mounting.
- Approved by SEMKO.

## Dimensions



Fan heater SWX C, for corrosive and damp environments. (IP65)

Type	Heat output*1 [kW]	Air flow [m³/h]	Air flow [m³/s]	Sound level*2 [dB(A)]	Δt*1,3 [°C]	Air throw [m]	Voltage [V]	Amperage [A]	HxWxD [mm]	Weight [kg]
SWXC12	20	2160	0,6	59	27	7	230V~	0,5	535x585x455	32
SWXC22	37	4300	1,2	69	25	10	230V~	1,35	660x740x455	54

Fan heater SWX D, for dusty environments. (IP65)

Type	Heat output*1 [kW]	Air flow [m³/h]	Air flow [m³/s]	Sound level*2 [dB(A)]	Δt*1,3 [°C]	Air throw [m]	Voltage [V]	Amperage [A]	HxWxD [mm]	Weight [kg]
SWXD13	15	2200	0,6	59	20	7	230V~	0,5	535x585x455	32
SWXD23	29	4430	1,2	69	19	10	230V~	1,35	660x740x455	54

Fan heater SWX EX, for environments with a temporary explosion risk. (IP44)

Type	Heat output*1 [kW]	Air flow [m³/h]	Air flow [m³/s]	Sound level*2 [dB(A)]	Δt*1,3 [°C]	Air throw [m]	Voltage [V]	Amperage [A]	HxWxD [mm]	Weight [kg]
SWXEX12	21	2250	0,6	61	28	8	400V3~	0,27	530x550x380	25
SWXEX22	39	4150	1,2	67	27	10	400V3~	0,6	655x705x430	42

\*1) Applicable at water temperature 80/60 °C, air temperature, in +15 °C.

\*2) Conditions: Distance to the unit 5 metres.

\*3) Δt = temperature rise of passing air at maximum heat output.

Fan heater SWX H, for rooms with high temperatures. (IP65)

Type	Heat output*1 [kW]	Air flow [m³/h]	Air flow [m³/s]	Sound level*2 [dB(A)]	Δt*1,3 [°C]	Air throw [m]	Voltage [V]	Amperage [A]	HxWxD [mm]	Weight [kg]
SWXH13	12	1830	0,5	57	21	6	230V~	0,5	530x550x380	28
SWXH23	23	3870	1,1	68	20	9	230V~	1,35	655x705x430	46

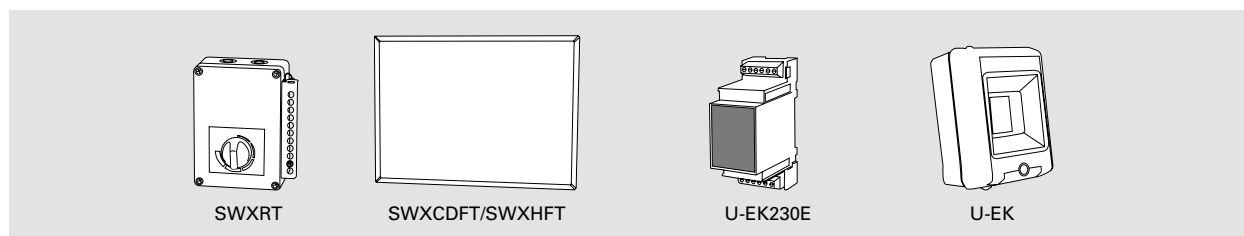
\*1) Applicable at water temperature 80/60 °C, air temperature, in +40 °C.

\*2) Conditions: Distance to the unit 5 metres.

\*3) Δt = temperature rise of passing air at maximum heat output.

Intended for water temperatures up to +150 °C (SWX EX 130 °C) and 10 bar.  
Max. surrounding temperature +70 °C. (Surrounding temp. SWX EX -20 - +40 °C).

## Accessories



Type	Description	HxWxD [mm]
SWXRT35	Room thermostat 0-35 °C for SWX C/D. IP65	
SWXRT70	Room thermostat 0-70 °C for SWX H. IP65	
SWXCDFT1	Wire mesh filter for SWX C12/D13	
SWXCDFT2	Wire mesh filter for SWX C22/D23	
SWXHFT1	Wire mesh filter for SWX H13	
SWXHFT2	Wire mesh filter for SWX H23	
U-EK230E	Thermistor motor protection for SWX EX	
U-EK	Plastic housing for U-EK230E, IP54	135x74x100