



## Fan heater SWT

Ceiling mounted fan heater with water heat

The SWT fan heater is used for heating entrances, stores, industrial premises, workshops, sports halls, garages and shops. The low height means that SWT can also be recessed into a suspended ceiling.

- Installed directly to the ceiling or suspended from brackets.
- Intended for water temperatures up to +80 °C and 10 bar.
- Two fan speeds.
- Approved by SEMKO.
- Outer casing in galvanised white enamelled steel panels.

### Fan heater SWT (IP44)

Type	Heat output* <sup>1</sup> [kW]	Air flow [m <sup>3</sup> /h]	Air flow [m <sup>3</sup> /s]	Sound level* <sup>2</sup> [dB(A)]	$\Delta t$ * <sup>1,3</sup> [°C]	Air throw* <sup>4</sup> [m]	Air throw* <sup>4</sup> with extension collar [m]	Water volume* <sup>5</sup> [l]	Voltage [V]	Amperage [A]	Weight [kg]
SWT02	7,8/11	700/1100	0,19/0,31	37/53	33/29	2,2/4	4/7	1,2	230V~	0,4	19
SWT12	14/18	1300/2000	0,36/0,56	44/57	25/22	2,7/4,5	5/8	1,7	230V~	0,6	26
SWT22	29/40	2500/3900	0,69/1,08	48/60	34/30	4,5/7,5	7/12	3,9	230V~	1,0	41

\*<sup>1</sup>) Applicable at water temperature 80/60 °C, air temperature, in +15 °C. At lowest/highest airflow.

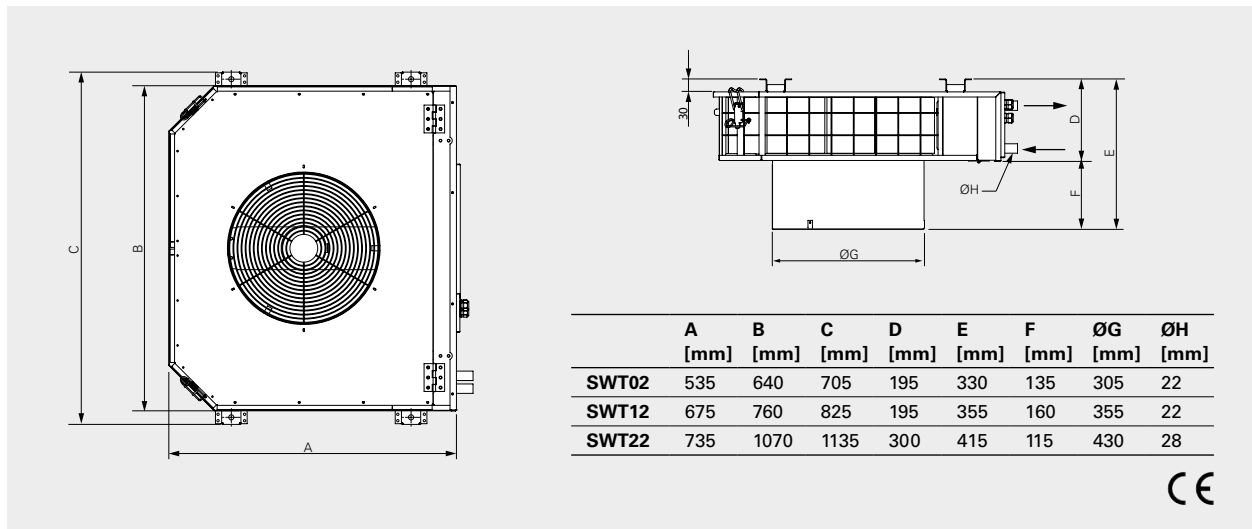
\*<sup>2</sup>) Conditions: Distance to the unit 5 metres. At lowest/highest airflow.

\*<sup>3</sup>)  $\Delta t$  = temperature rise of passing air at maximum heat output and lowest/highest airflow.

\*<sup>4</sup>) The air throw data above is valid when the horizontally adjustable air director is used and the outlet temperature is +40 °C and the room temperature is +18 °C. The air throw is defined as the distance in a straight angle from the fan heater to the the point where the air speed has dropped to 0,2 m/s.

\*<sup>5</sup>) Water volume inside water coil.

### Dimensions



## Control options

### Control by thermostat only

- KRT1900 or TKS16, room thermostat
- TVVS20/25, 2-way valve or TRVS20/25 3-way valve + SD20, actuator

### 2-step control of airflow only

- CB20, control panel

### Thermostat and 2-step control

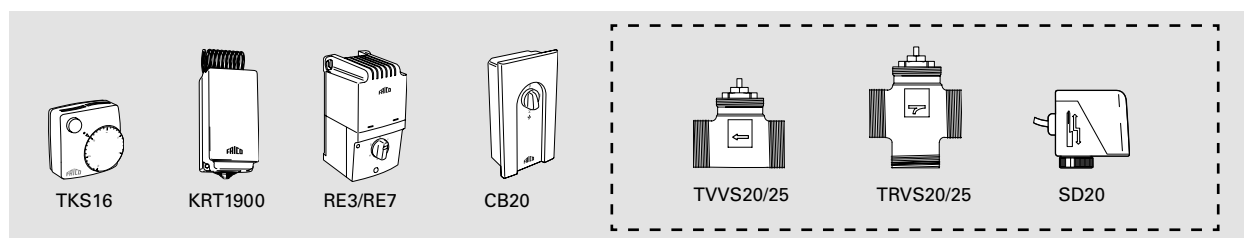
- CB20, control panel
- KRT1900 or TKS16, room thermostat
- TVVS20/25, 2-way valve or TRVS20/25 3-way valve + SD20, actuator

### 5-step control of airflow only

- RE1,5, 5-step regulator max 1,5A, or RE3, 5-step regulator max 3A, or RE7, 5-step regulator max 7A

### Thermostat and 5-step control

- RE1,5, 5-step regulator max 1,5A, or RE3, 5-step regulator max 3A, or RE7, 5-step regulator max 7A
- KRT1900 or TKS16, room thermostat
- TVVS20/25, 2-way valve or TRVS20/25 3-way valve + SD20, actuator



Type	Description	HxWxD [mm]
<b>TKS16</b>	Electronic thermostat, knob, 1-pole switch	80x80x39
<b>KRT1900</b>	Capillary tube thermostat	165x57x60
<b>CB20</b>	Control box	155x87x43
<b>RE1,5</b>	5-step change-over switch for air flow 1,5 A	200x105x105
<b>RE3</b>	5-step change-over switch for air flow 3 A	200x105x105
<b>RE7</b>	5-step change-over switch for air flow 7 A	257x147x145
<b>TVVS20</b>	2-way valve DN20	
<b>TVVS25</b>	2-way valve DN25	
<b>TRVS20</b>	3-way valve DN20	
<b>TRVS25</b>	3-way valve DN25	
<b>SD20</b>	Actuator on/off 230V	

## Accessories

Type	Description
<b>SWTCE02</b>	Extension collar 350 mm to SWT02, increases the throw pattern to 4-7 m
<b>SWTCE12</b>	Extension collar 350 mm to SWT12, increases the throw pattern to 5-8 m
<b>SWTCE22</b>	Extension collar 350 mm to SWT22, increases the throw pattern to 7-12 m
<b>SWTCF02</b>	Filter for SWT02
<b>SWTCF12</b>	Filter for SWT12
<b>SWTCF22</b>	Filter for SWT22
<b>SWTCL02</b>	Air director for SWT02
<b>SWTCL12</b>	Air director for SWT12
<b>SWTCL22</b>	Air director for SWT22



- 1) Fan heater SWT
- 2) Filter SWTCF
- 3) Air director SWTCL
- 4) Extension collar SWTCE