



1 model
⚡ 1200 W Electrical heat

Halogen infrared heater ELIR

For outdoor applications where a high flexibility is desired

Application

ELIR gives an intense heat suitable for all outdoor applications and rough industrial premises. While ELIR is light, stable and portable it is well suited for temporary heating on building sites and at customer events. With its concentrated heat it is a good complement to dehumidifiers for drying in areas damaged by water. High protection class (IP65) makes it possible to use the heater in almost any environment.

Comfort

Radiant heaters give an intense, comfortable heat and prolong the summer season. No moving parts mean a silent system that does not cause air movement or spread dust and other particles.

Operation and economy

Radiant heaters give instant heat, are simple and flexible to install and require minimum maintenance. People and objects are heated but not the surrounding air, which makes radiant heaters very efficient. This is especially effective outdoors. A radiant heater is also more energy efficient, safer and cleaner than a gaspowered heater.

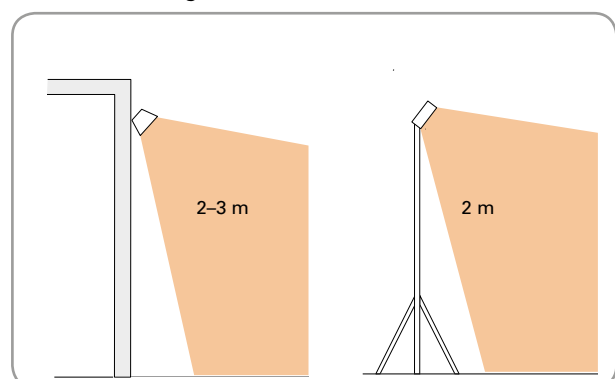
Design

ELIR has a thorough design in a compact format. Simple, robust and light (1 kg). ELIR has no protective glass which means 10–15 % higher efficiency compared to a heater with glass with the same protection class.

Product specifications

- All parts are anti-corrosive.
- Wall bracket included. Stand and chains for ceiling installation are available as accessories.
- Casing/reflectors of high-gloss polished aluminium with maximum resistance against corrosion.
- Grey terminal boxes of heat and weather resistant plastic. Colour: RAL 7035.

Installation height

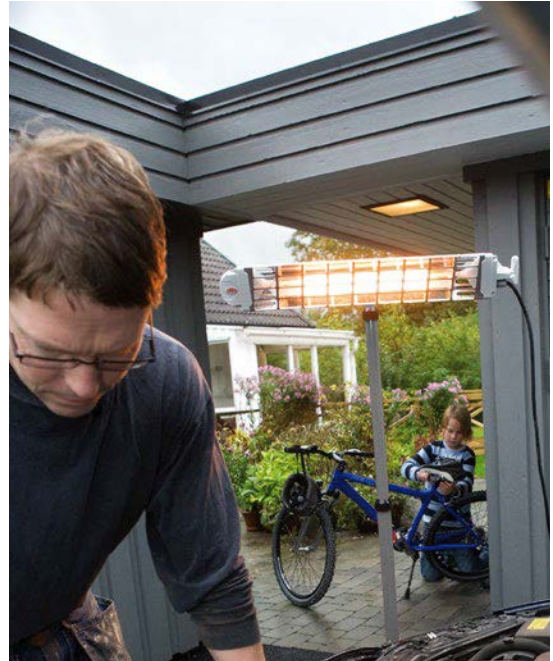


Design and specifications are subject to change without notice.

Halogen infrared heater ELIR



ELIR gives an intense heat suitable for outdoor applications.



ELIR is compact and light. Mounted on a stand ELIR is portable and is well suited for temporary heating.



High protection class (IP65) makes it possible to install the heater in almost any environment.



ELIR is installed horizontally on a stand, on a wall or suspended by chains.

Halogen infrared heater ELIR

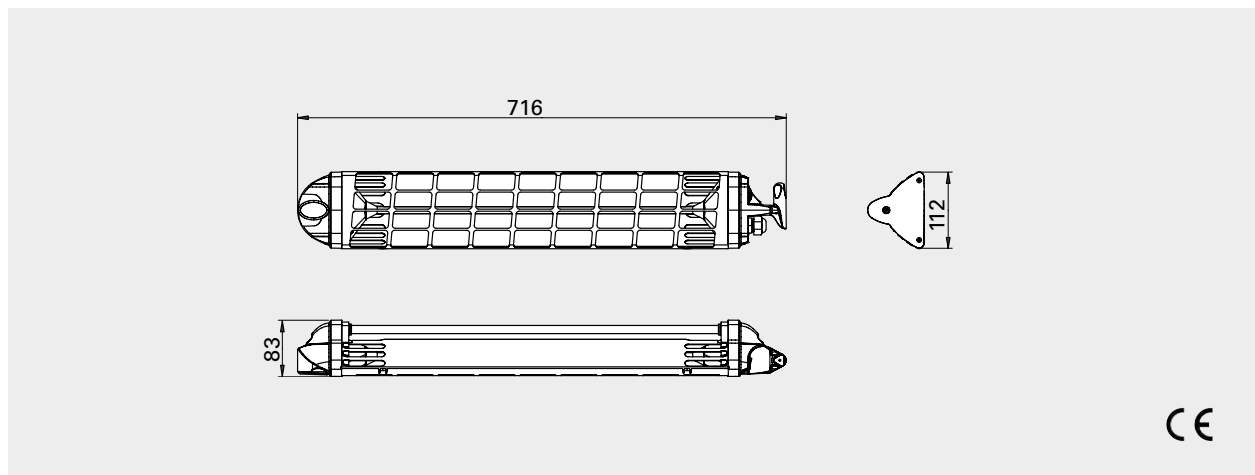
Technical specifications

Halogen infrared heater ELIR (IP65)

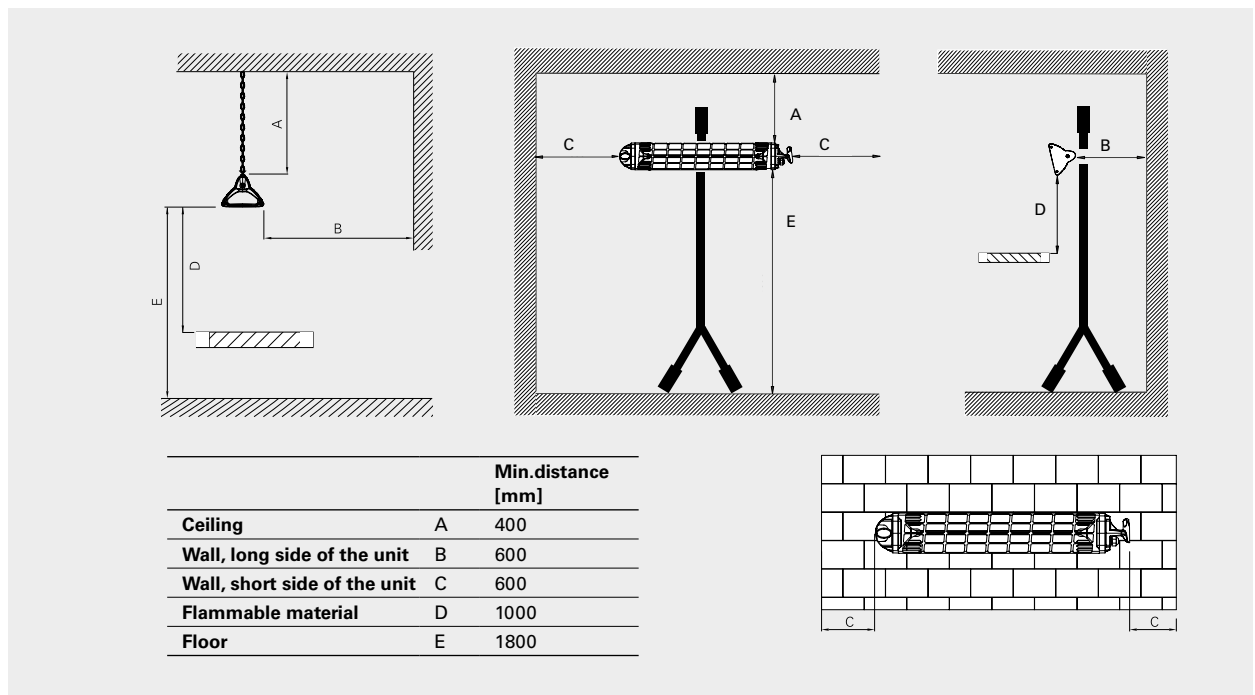
Type	Heat output [W]	Voltage [V]	Amperage [A]	Max. lamp temperature [°C]	Dimensions LxHxW [mm]	Weight [kg]
ELIR12	1200	230V~	5,2	2200	712x112x83	1,0

Protection class: IP65.
CE compliant.

Dimensions



Minimum distances



Positioning, mounting and installation

Positioning

The heaters must be placed so that they cover the area to be heated, see fig. 1. The normal mounting height is 2–3 metres above the ground/floor. A rule of thumb for infrared heaters is that 600–800 W/m² increases the experienced temperature by about 10 °C. The output demand can be reduced if the area to be heated is protected. If the area only has a roof, at least 800 W/m² should be installed. 600 W/m² is sufficient if the area has three walls. For enclosed areas, the output demand must be calculated. Optimum comfort is achieved if the heat is distributed from at least two directions.

Mounting

ELIR is installed horizontally on a stand, on a wall or suspended by chains. The angle of the heater can be adjusted for optimum comfort. Wall bracket included. Stand and chains for ceiling installation are available as accessories.

Connection

ELIR is intended for both portable use and permanent installation. Cable and plug are included in delivery.

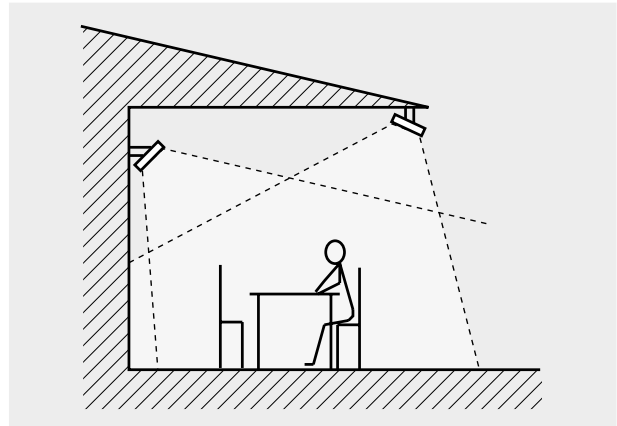
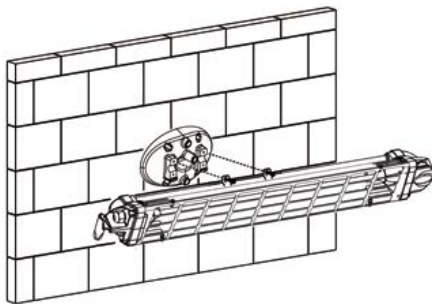
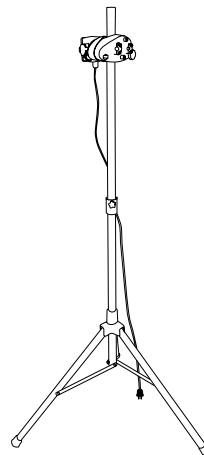


Fig. 1: The heaters should heat from at least two directions for even heating.

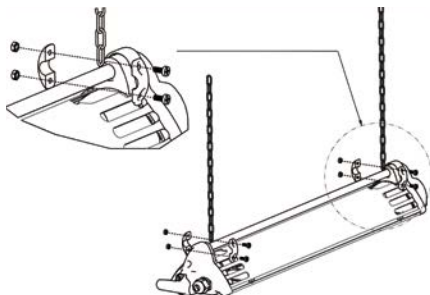
Mounting alternatives



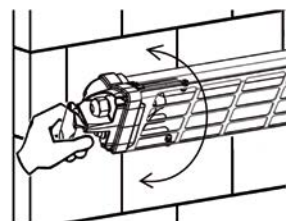
Standard: Wallmounting (bracket included).



Mounting on floor stand.



Chain suspended.



Adjusting angle

Halogen infrared heater ELIR

Control options

Timer control

The timer can be set to a desired time. If the current load exceeds the timer's setting range or if you want to control a larger system, a contactor can be used.

- CBT, electronic timer

For further information and options, see the "Controls" section.

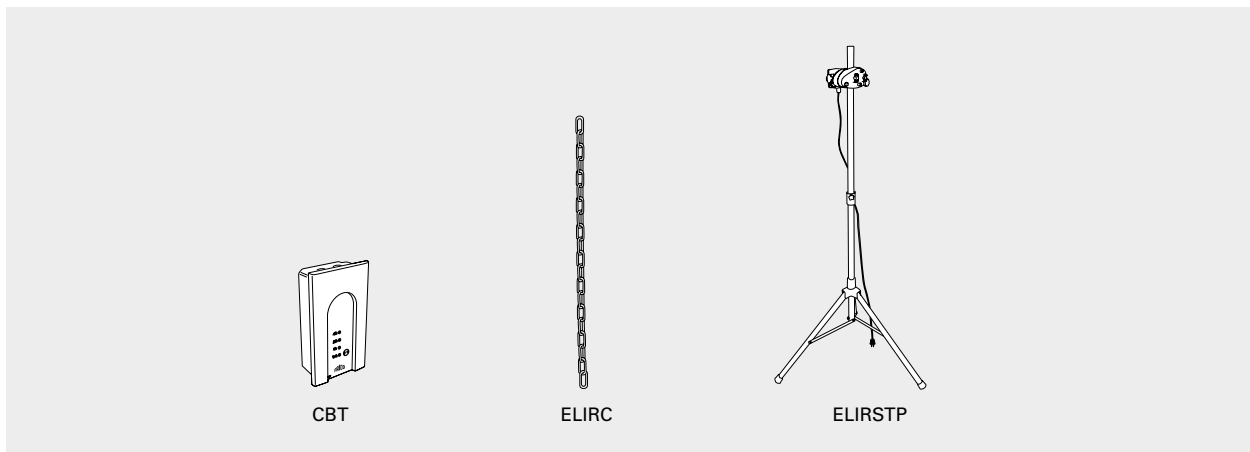
Accessories

ELIRC, chain for ceiling mounting

ELIRSTP, floor stand for portable use
Floor stand (tripod) with bracket for ELIR included.

IREL12, extra lamp

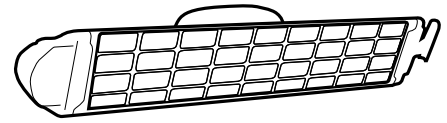
The halogen lamp of 1,2 kW is replaceable. The life of the lamp will depend among other things on surrounding temperature and positioning.



Type	Description	HxWxD [mm]
CBT	Electronic timer	155x87x43
ELIRC	Chain for ceiling mounting	L: 2500
ELIRSTP	Floor stand for portable use	H: 2000
IREL12	Extra lamp	

Halogen infrared heater ELIR

Wiring diagrams



Control with timer

