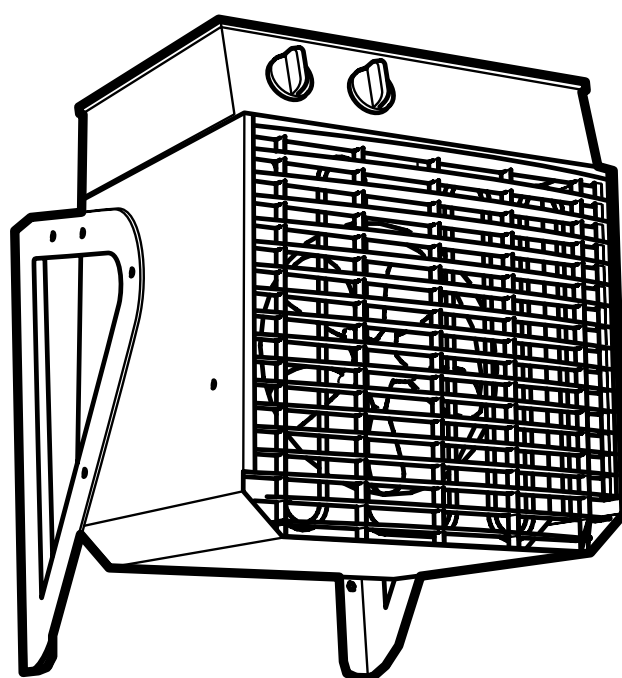


Elektra V



SE ... 7	GB ... 9	NO ... 11	FR ... 13
RU ... 15	DE ... 17	PL ... 19	FI ... 21
NL ... 23	ES ... 25	IT ... 27	

Elektra V

ELV3333, ELV3344, ELV5333, ELV6344

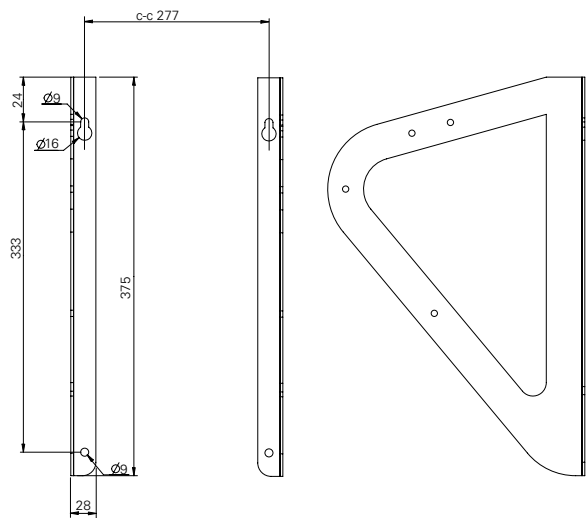
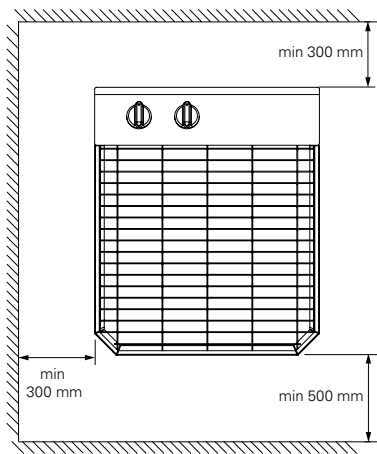
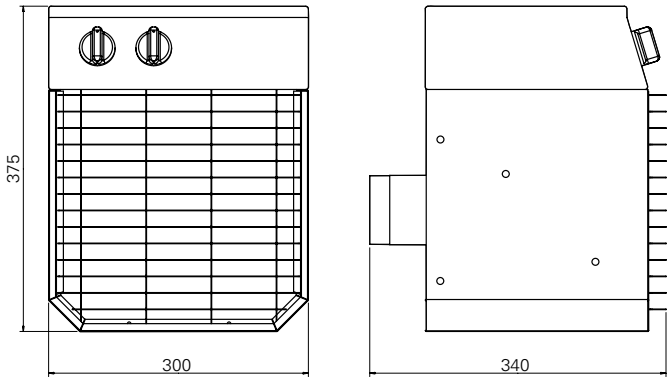


Fig. 1

Fig. 2

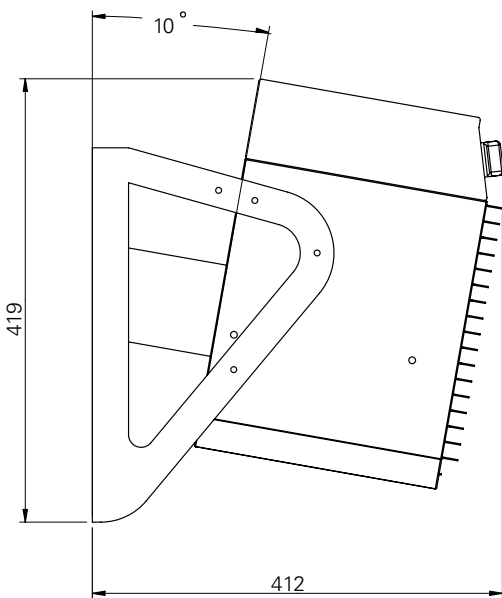


Fig. 3

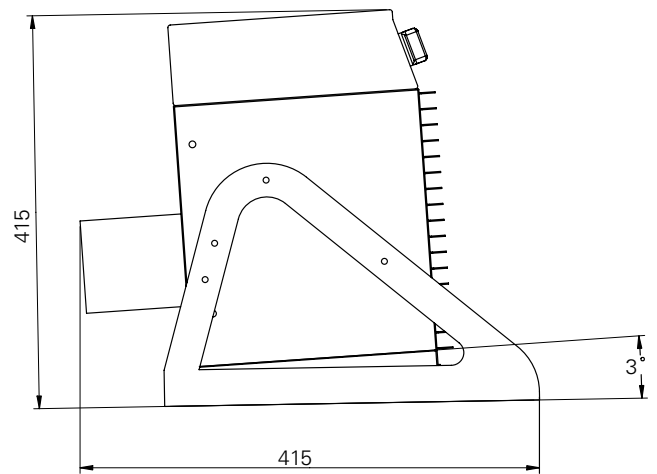


Fig. 4

Elektra V



Fig. 5



Fig. 6

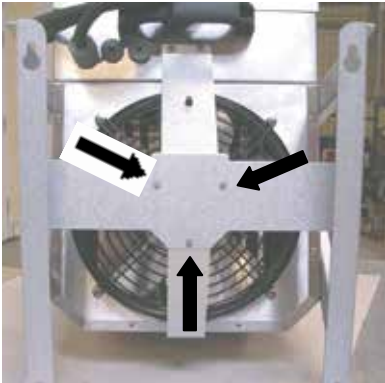


Fig. 7



Fig. 8

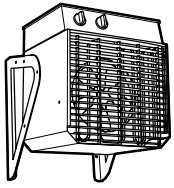
Technical specifications

Type	Output* ¹ [kW]	Output steps [kW]	Voltage [V]	Amperage [A]	Airflow [m ³ /h]	Sound level* ³ [dB(A)]	Δt * ² [°C]	Weight [kg]
ELV331	3	0/2/3	230V~	9.0/13.3	400	48 ¹⁾	21	13
ELV3333	3	0/1.5/3	400V3~	4.0/4.6	400	48 ¹⁾	21	13
ELV3344	3,6	0/1.8/3.6	440V3~	4.4/5.1	400	48 ¹⁾	21	13
ELV5323	5	0/2.5/5	230V3~	11.1/12,8	700	53	17	13
ELV5333	5	0/2.5/5	400V3~	6.5/7.5	700	53 ¹⁾	17	13
ELV6344	6	0/3/6	440V3~	7.1/8.2	700	53 ¹⁾	17	13

¹⁾ Distance to fan: 5 metres.

Δt = Temperature rise of passing air at maximum heat output.

Elektra V

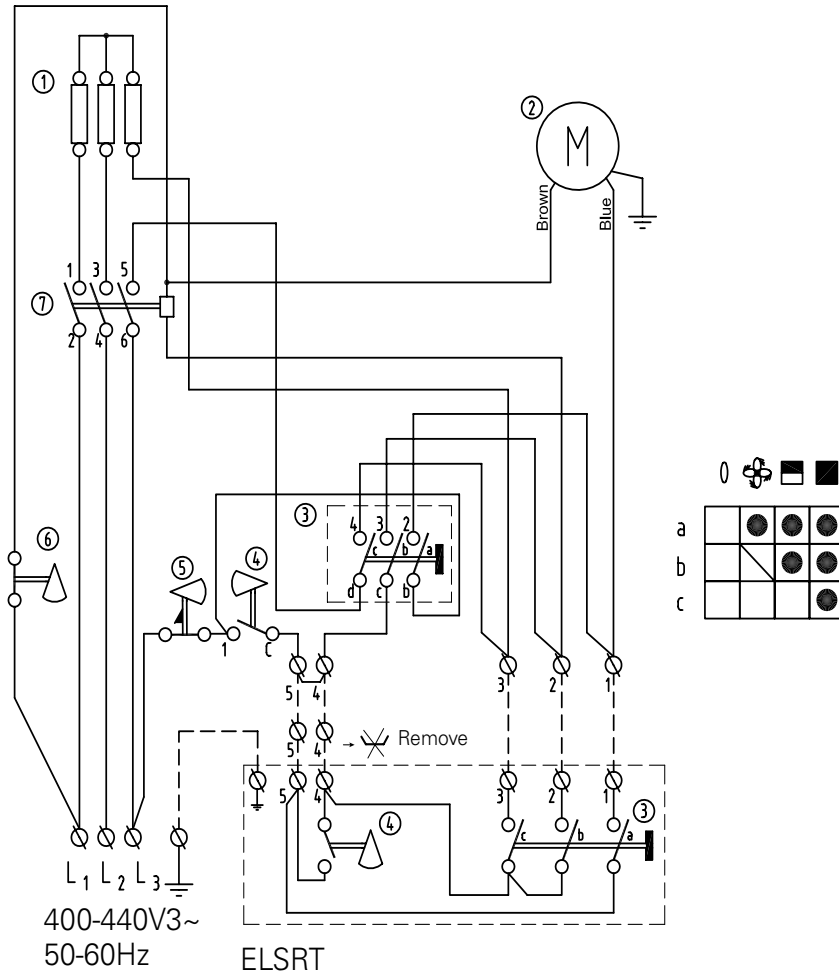


Elektra V

Elektra V 400-440V3~

ELV3333, ELV5333

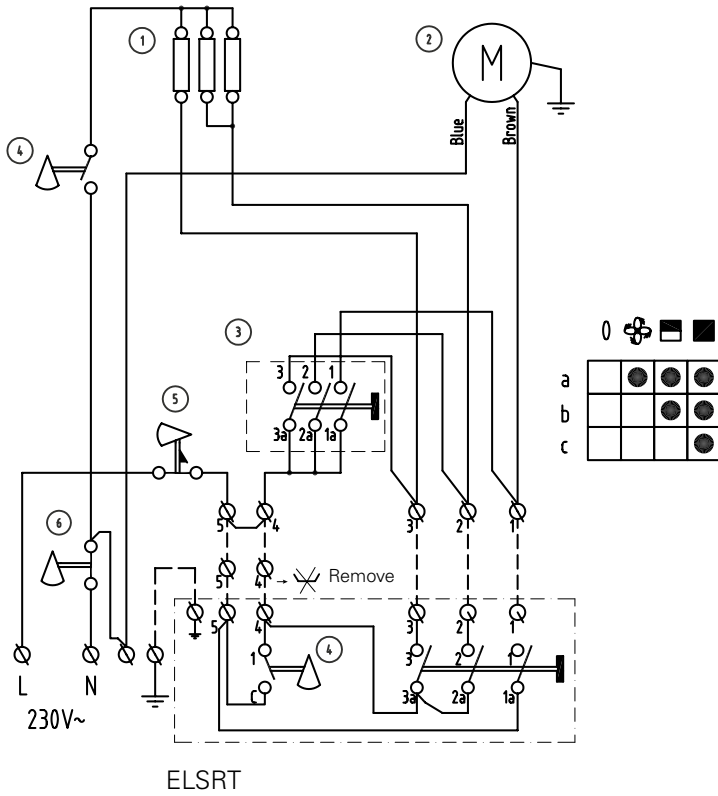
ELV3344, ELV6344



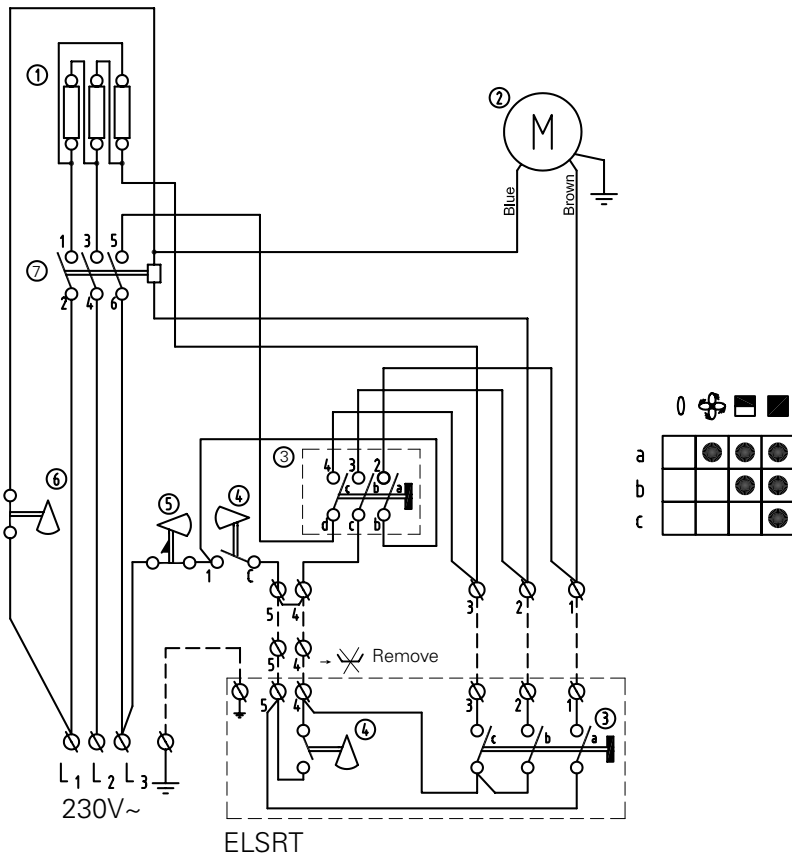
1. Element
2. Fan motor
3. Switch
4. Thermostat
5. Overheat protection
6. Overheat protection
7. Contactor

Elektra V

Elektra V
ELV331



Elektra V 230V3~
ELV5323



Mounting and assembly instruction

Application area





The fan heater is approved for use on ships and off-shore applications. Elektra V has reinforced electrical insulation, motor and heating elements have a construction that absorbs vibrations. For both fixed installation and portable use. Elektra V is available in 230V~, 400V3~ and 50 Hz and 440V3~ and 60Hz.

The fan heater should be installed for easy maintenance and inspection. For portable use, mount a suitable terminal with appropriate protection class. The fan heater is tested and approved according to the EMC- and SEMKO regulations and is CE compliant. Protection class: IP44. Approved by DNV, Det norske Veritas. The heater is also approved for 440V3~ and 60Hz. Casing and heating rods are made of stainless steel SS2320.

Operation

The fan is running constantly unless the output selector is set in 0 position. The heat output is controlled by the built in thermostat (0- +35°C) or with an external thermostat (KRT1900).

The on/off mode, and half or full heat output can be controlled with the output selector on the unit or with an external control panel (ELSRT/ ELSRT4) mounted on the wall for easy access. External control box or thermostat are ordered separately.

-  Off
-  Only fan
-  Fan + half output
-  Fan + full output

Mounting

Elektra V can be mounted permanently on the wall or be used as a portable fan heater.

Wall mounting

The fan heater must not be placed immediately below or in front of a wall socket.

Remove the plastic feet on the brackets.

1. Drill four holes in the wall with a c-c distance according to fig. 2 on page 2.
2. Fit the screws in the upper two holes.
3. Hang the heater by using the keyholes in the bracket and lock with the two lower screws.

Note! The minimum distances according to fig. 1 on page 2.

Portable use

1. Loosen the three screws with washers from the motor, see Fig. 7 page 3.
2. Loosen the screws on the bracket (the bracket is fitted on the casing).
3. Then loosen the two screws connecting the bracket and the support, see Fig. 8 page 3.
4. The support between motor and bracket is removed, it is not needed for portable use.
5. Fasten the three screws to the motor, see Fig. 7 page 3. Note! Don't forget the washers.
6. Mount the brackets on the fan according to Fig. 6 page 3.

Electrical installation

The electrical installation should be carried out by a qualified electrician in conformity with prevailing regulations. The appliance should be preceded by an all-pole switch with at least 3 mm breaking gap.

Use the knock-outs on the back of the appliance for installation of the external devices. Cable-glands used must guarantee the protection class requirements.

Overheating

Note! Opening the heater cover should only be done by a qualified installer.

The heater is equipped with two overheat protections, one with manual reset and one with automatic reset. If the manual overheat protection is released due to overheating, reset as follows:

- Disconnect the power with the fully isolated switch.
- Investigate the matter and repair the fault.
- Reset cut-out by opening the lid and pressing the red button until a click is heard.
- Put on the lid and make sure that the screws are tightened to ensure full protection. If the fault continues or cannot be fixed, please contact a qualified technician.

Maintenance

Note! Opening the heater cover should only be done by a qualified installer.

Always disconnect the power supply before opening the cover or doing any maintenance work.

The appliance should be cleaned regularly both inside and outside, to prevent overheating and risk of fire but also to guarantee long life of the heater.

Note! To keep the protection class it is very important to tighten the screws properly when the lid is put back again after installation or maintenance.

Safety instructions

Incorrect installation and/or incorrect usage of the fan heater can be hazardous.

This appliance can be used by children aged from 8 years and above and persons with reduced physical, sensory or mental capabilities or lack of experience and knowledge if they have been given supervision or instruction concerning use of the appliance in a safe way and understand the hazards involved. Children shall not play with the appliance. Cleaning and user maintenance shall not be made by children without supervision.

Warning!

- *Always disconnect the fan heater before opening the cover or doing any electrical work.*
- *Incorrect installation can lead to personal injury.*
- *Opening the heater by opening the cover etc should only be done by a qualified installer*
- *This fan heater must not be used next to a shower, bath or swimming pool.*
- *Place the fan heater away from flammable materials*


- *Ensure that the area around the intake and exhaust grille is kept free from material which could obstruct the air flow through the unit!*
- *During operation the surfaces of the unit are hot!*
- *The unit must not be covered fully or partially with clothes, or similar materials, as overheating can result in a fire risk!*
- *The fan heater is fitted with a cable that, in the event of damage, must be changed by a qualified installer.*

Important!

When using the heater as a portable, the brackets must be turned in order to use them as a floor stand (see fig 4 on page 3).

The guarantee is only valid if the units are used in the manner intended by the manufacturer and in accordance with the installation and maintenance instructions.

Accessories

For fixed installation the heater can be controlled by an external control panel with a built in thermostat 0 – +35°C. It is also possible to use only an external thermostat to control the heat output. The ELSRT can only control one unit. For parallel connection of up to 4 units the ELSRT4 can be used. When ELSRT is being used, the built-in thermostat must be set to max and the output selector on the unit to Off .

See table below.

Type	Description	Dimensions HxWxD [mm]
ELSRT	Control panel with room thermostat	175x150x100
ELSRT4	Control panel with room thermostat (control of 4 units)	255x360x110
KRT1900	External thermostat, IP55	165x60x57



Main office

Frico AB
Box 102
SE-433 22 Partille
Sweden

Tel: +46 31 336 86 00

mailbox@frico.se
www.frico.se

**For latest updated information and information
about your local contact: www.frico.se**