

## ADA Cool

### Air curtain for cold stores

Recommended installation height 2,5 m\*

ADA Cool keeps the cold air in cold stores and also makes it possible to have an open cold store area without doors. The cost of cooling is significantly reduced and the cold air stays where it is needed. ADA Cool reduces ice formation and condensation by the doorway and improves visibility when compared to plastic strips and fast folding doors.

- Specially designed outlet grilles for optimized performance.
- Compact and easily positioned.
- Easy installation with 1,8 m cable and plug.
- Several units can easily be linked together.
- Corrosion proof housing made of hot zinc-plate and powder enamelled steel panels. Colour: white, RAL 9016, NCS S 0500-N.



Optimized airflow with Thermozone technology.

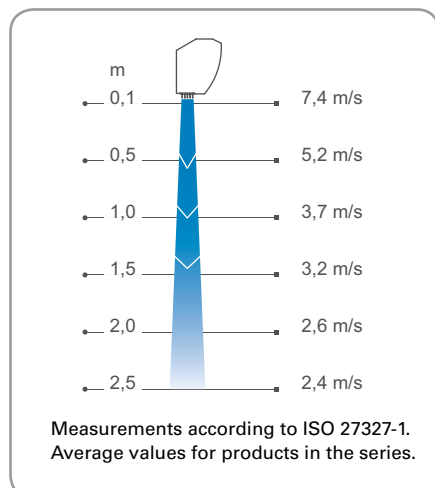
### ✿ Ambient, no heat - ADA Cool (IP21)

Type	Output [kW]	Airflow [m <sup>3</sup> /h]	Sound power* <sup>1</sup> [dB(A)]	Sound pressure* <sup>2</sup> [dB(A)]	Voltage [V]	Amperage [A]	Length [mm]	Weight [kg]
<b>ADAC090</b>	0	800/1150	70	43/54	230V~	0,50	900	9,5
<b>ADAC120</b>	0	1100/1400	67	44/51	230V~	0,55	1200	11,7

\*<sup>1</sup>) Sound power ( $L_{WA}$ ) measurements according to ISO 27327-2: 2014, Installation type E.

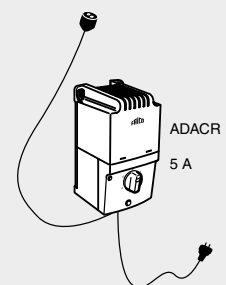
\*<sup>2</sup>) Sound pressure ( $L_{pA}$ ). Conditions: Distance to the unit 5 metres. Directional factor: 2. Equivalent absorption area: 200 m<sup>2</sup>. At lowest/highest airflow.

### Air velocity profile



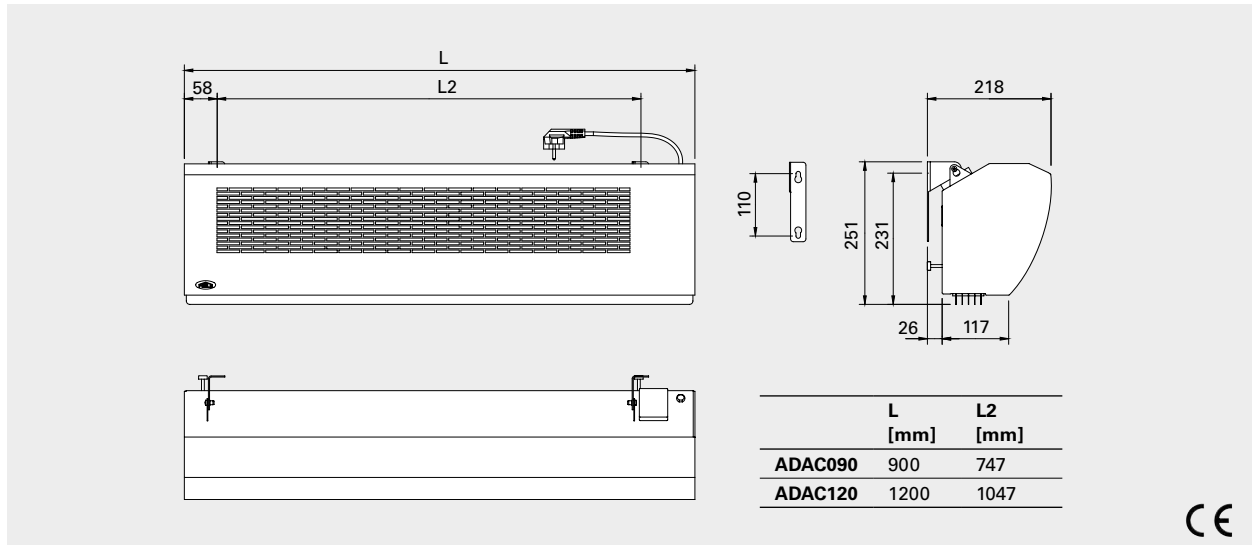
### Control

ADACR, 5-step fan speed control  
ADACR is a control and connection set consisting of a 5-step fan speed control, flexible cable and earthed plug. Can control a maximum of 7-9 units (max. 7 units at 60 Hz). Max input: 5 A. Dimensions: 200x105x105 mm. IP30.



\*) Recommended installation height varies depending on the relevant premises.

## Dimensions



For mounting, connection, wiring diagrams and other technical information, please see the manual.

## Cold storage measurement

At Manuel Carvalho SA in Portugal the differences in efficiency between plastic strips and the Frico air curtain ADA Cool were measured. The temperature rise was measured over 24 hours, four days before the installation of ADA Cool and four days after.

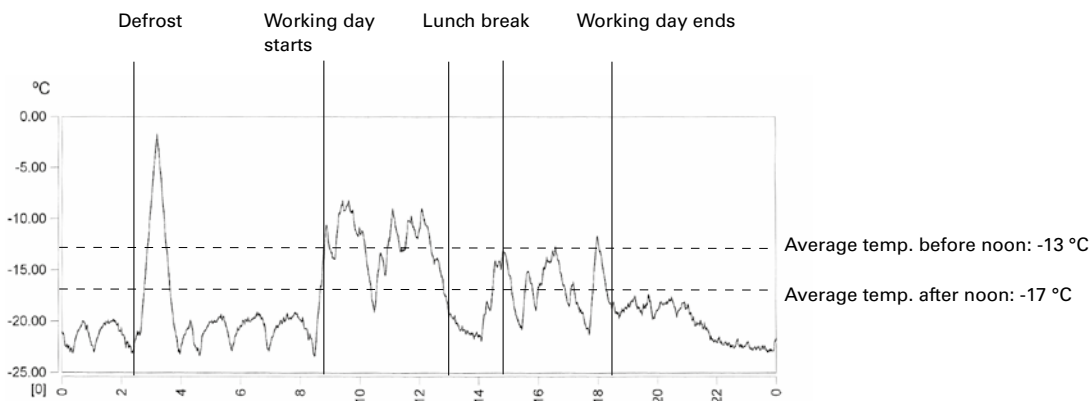
ADA Cool proved to be much more efficient in keeping the cold air inside the cold storage. Manuel Carvalho SA found further advantages compared with plastic strips.

Easier access is a benefit but furthermore the risk of accidents is reduced when build-up of ice on the floor is prevented, when the visibility is improved and trucks cannot get stuck in the plastic strips.

Customer: Manuel Carvalho SA, Portugal  
 Cold storage dimension: 23 x 11 x 6m  
 Dimension of opening: 2,2 x 2,5m  
 Cold storage temperature: -23 °C  
 Outside temperature: +20 °C  
 Door opened 100 times per day



Temperature increase over 24 hours with plastic strips



Temperature increase over 24 hours with Frico air curtain

