



## Portier

### Design air curtain for entrances

Recommended installation height 2,5 m\*

Portier is an exclusive air curtain in brushed stainless steel intended for entrance doors in e.g. shops, banks, hotels and restaurants. The elegant design of the air curtain makes it particularly suitable for environments where demands are made on a high standard of design.

- Low sound level.
- Adjustable outlet grille makes it possible to direct the air for optimum air curtain effect.
- Simple suspension using fixing nuts on the upper side for installation with wall brackets, suspension kit or wire/threaded rod.
- Housing in brushed stainless steel. Colour outlet grille and ends: black, RAL 9005.



Optimized airflow with Thermozone technology.

#### ✿ Ambient, no heat - Portier A (IP21)

Type	Output [kW]	Airflow [m <sup>3</sup> /h]	Sound power* <sup>1</sup> [dB(A)]	Sound pressure* <sup>2</sup> [dB(A)]	Voltage [V]	Amperage [A]	Length [mm]	Weight [kg]
PS210A	0	1000/1300	70	44/54	230V~	0,45	1020	14
PS215A	0	1300/2000	72	46/56	230V~	0,55	1530	20

#### ⚡ Electrical heat - Portier E (IP21)

Type	Output steps [kW]	Airflow [m <sup>3</sup> /h]	$\Delta t$ * <sup>3</sup> [°C]	Sound power* <sup>1</sup> [dB(A)]	Sound pressure* <sup>2</sup> [dB(A)]	Voltage [V]	Amperage [A]	Length [mm]	Weight [kg]
PS210E03	1,5/3	950/1200	10/8	66	44/50	230V~/400V3N~* <sup>4</sup>	13,4/4,8	1020	17
PS210E06	3/6	950/1200	19/15	66	44/50	400V3N~* <sup>4</sup>	9,2	1020	17
PS210E09	4,5/9	950/1200	28/23	66	44/50	400V3N~* <sup>4</sup>	13,5	1020	17
PS215E09	4,5/9	1200/1900	23/14	66	39/50	400V3N~* <sup>4</sup>	13,5	1530	24
PS215E14	6,7/13,5	1200/1900	34/21	66	39/50	400V3~ + 230V~	20,0	1530	24

\*<sup>1</sup>) Sound power ( $L_{WA}$ ) measurements according to ISO 27327-2: 2014, Installation type E.

\*<sup>2</sup>) Sound pressure ( $L_{pA}$ ). Conditions: Distance to the unit 5 metres. Directional factor: 2. Equivalent absorption area: 200 m<sup>2</sup>. At lowest/highest airflow.

\*<sup>3</sup>)  $\Delta t$  = temperature rise of passing air at maximum heat output and highest airflow.

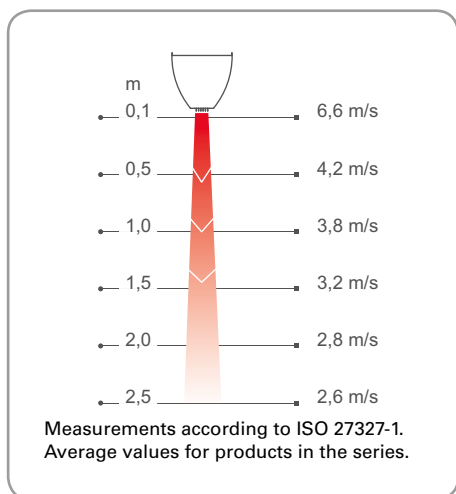
\*<sup>4</sup>) Alternative 400 V3~ + 230 V~ (operating supply) if the current is greater than 16 A. Applies when connecting several units.

Approved for 220V/1ph/60Hz and 380V/3ph/60Hz. Product performance for 220V/1ph/60Hz and 380V/3ph/60Hz will differ from stated data.

For mounting, connection, wiring diagrams and other technical information, please see the manual.

\*<sup>1</sup>) Recommended installation height varies depending on the relevant premises.

Air velocity profile

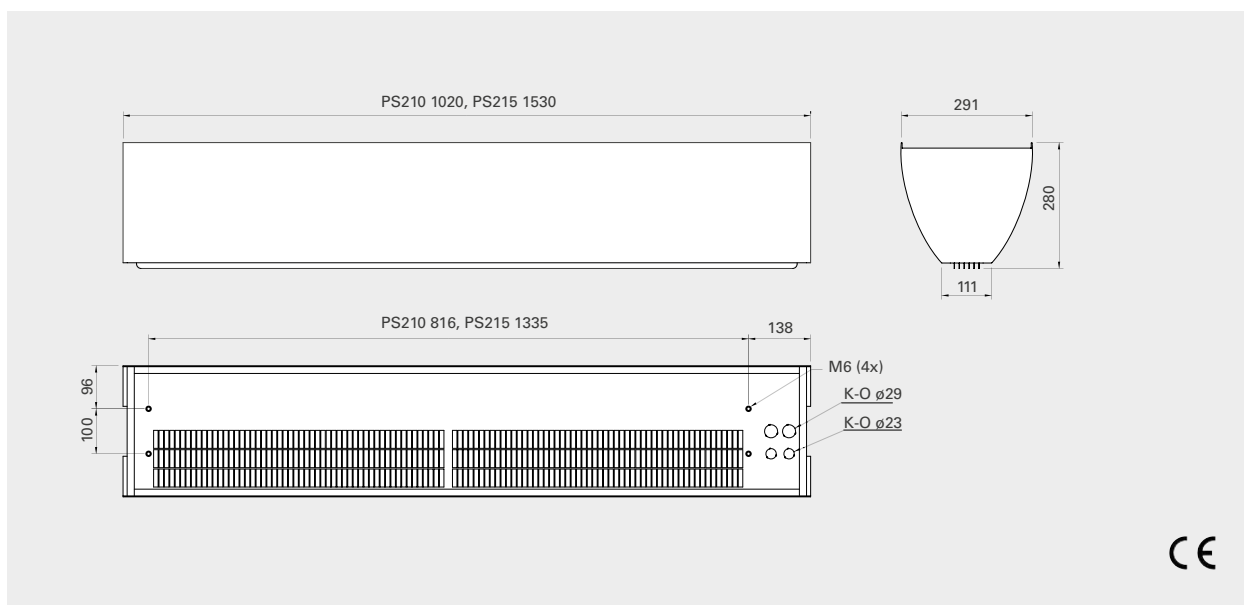


Control

CB20      CB22      RTI2      MDC

- CB20, control box, 2 fan steps.
- CB22, control box, 2 fan steps and 2 heating steps.
- RTI2, electronic 2-step thermostat.
- MDC, magnetic door contact with a time relay.

Dimensions



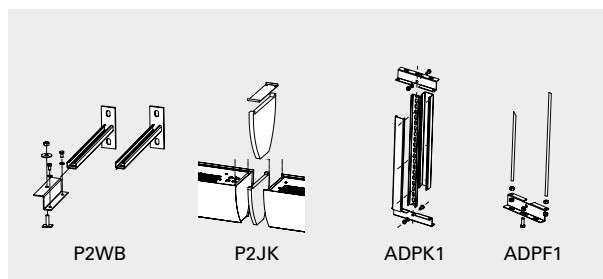
Accessories

**P2WB, wall mounting kit**  
Used for installing unit horizontally on a wall. Consists of wall brackets and mounting parts.

**P2JK, joining kit**  
Used to join horizontal units together for a sleek and unified installation. Consists of joint bracket and mounting parts.

**ADPK1, suspension kit**  
The hanging brackets are covered by a white plastic trim to cover the cables. The brackets may be cut to shorter length, if required.

**ADPF1, suspension brackets**  
Ceiling brackets for installing the unit from the ceiling using wires or threaded bars (not included). Consists of 4 brackets, 2 for the unit and 2 for the ceiling.



Type	Description
P2WB	Wall mounting kit (2 pcs)
P2JK	Joining kit (1 pc)
ADPK1	Suspension kit (2 pcs)
ADPF1	Suspension brackets (4 pcs)

## Control options

### ✿ Unit without heating

#### Level 1

Airflow is set manually.

Control kit:

- CB20, control box, 2 fan steps.

#### Level 2

Airflow is set manually. The door contact regulates the airflow on/off.

Control kit:

- CB20, control box, 2 fan steps.
- MDC, magnetic door contact with a time relay.

### ⚡ Unit with electrical heating

#### Level 1

Airflow is set manually. The room thermostat controls the heat output in two steps.

Control kit:

- CB22, control box, 2 fan steps and 2 heating steps.
- RTI2, electronic 2-step thermostat.

#### Level 2

Airflow and heat output are controlled automatically based on the opening of the door and the room temperature. When the door is open the fan runs at high speed, when the door closes the fan will continue to run at high speed for the desired time (2s–10 min.) set on MDC. When the door is closed the fan runs at low speed if there is a need for heating, if not the fan is switched off.

The room thermostat controls the heat output.

E.g. the thermostat is set on 23 °C and the difference between the steps 4 °C. The thermostat will activate below 19 °C when the door is closed. When the door opens, the thermostat will activate below 23 °C and normally the heat is switched on.

Control kit:

- CB22, control box, 2 fan steps and 2 heating steps.
- MDC, magnetic door contact with a time relay.
- RTI2, electronic 2-step thermostat.



Type	Description
CB20	Control box Portier A, IP44
CB22	Control box Portier E, IP44
RTI2	Electronic 2-step thermostat, IP44
MDC	MDC, magnetic door contact with time relay, IP44

