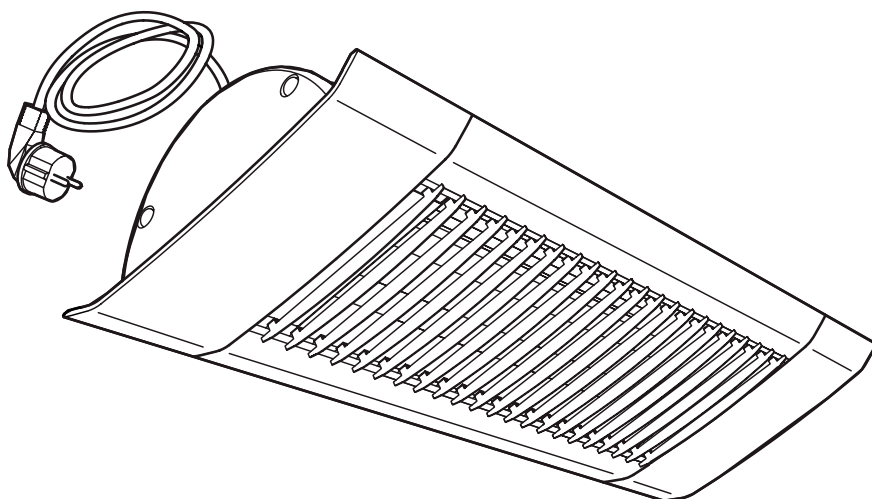


## IHC



GB ... 6

SE ... 9

NO ... 11

DE ... 13

FR ... 16

ES ... 19

RU ... 22

**Dimensions**

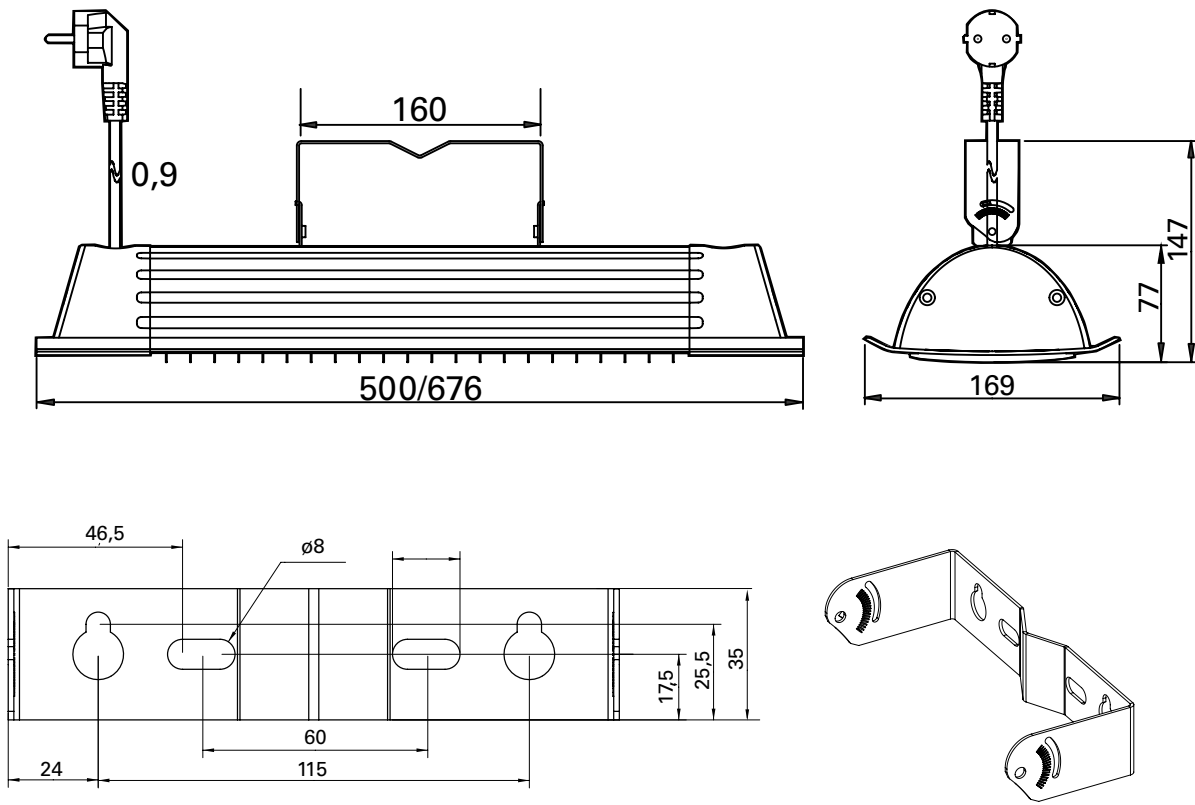


Fig. 1: Wall bracket

**Positioning**

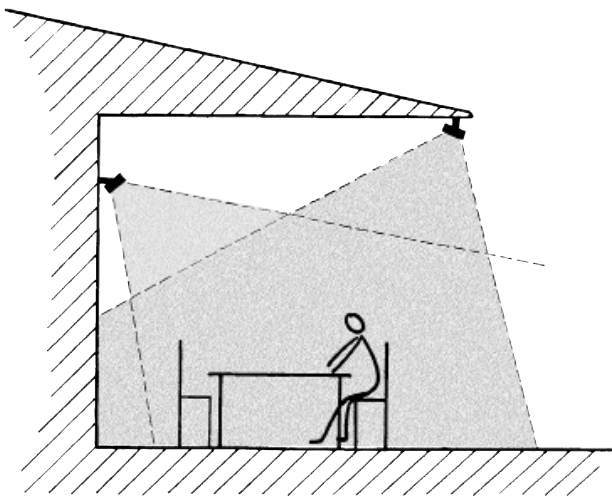
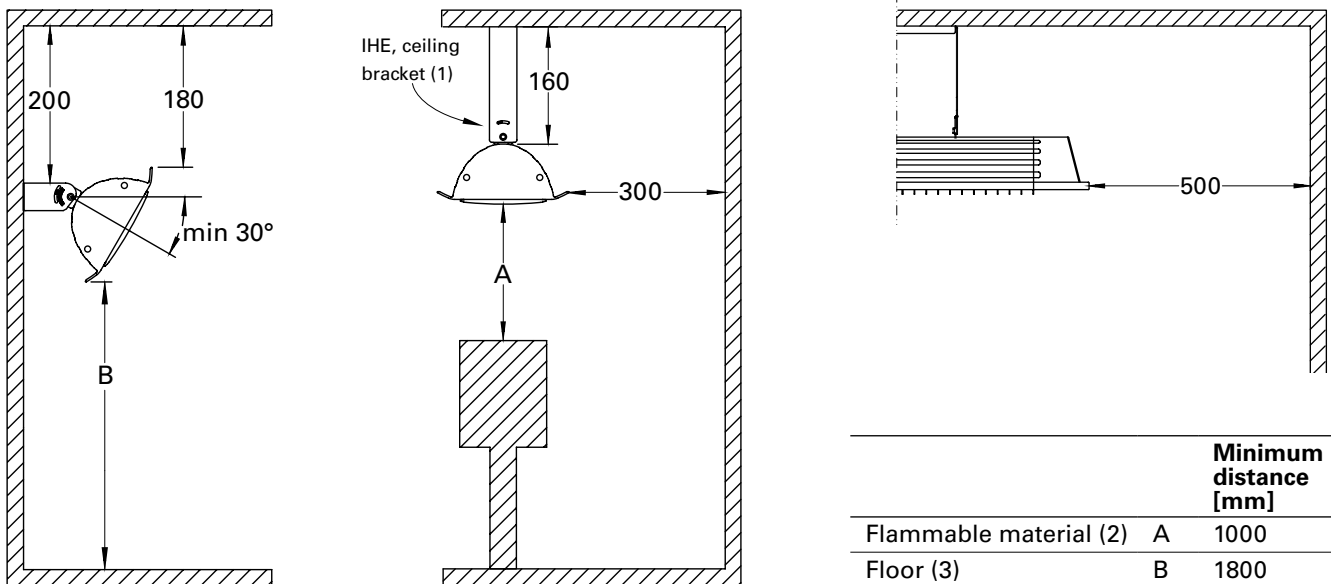


Fig. 2: The heaters should heat from at least two directions for even heating



		Minimum distance [mm]
Flammable material (2)	A	1000
Floor (3)	B	1800

Fig. 3: Minimum mounting distance

- |  |                                   |               |
|--|-----------------------------------|---------------|
| (1)                                    | (2)                               | (3)           |
| SE: IHE, takfäste                      | SE: Brännbart material            | SE: Golv      |
| GB: IHE, ceiling bracket               | GB: Flammable material            | GB: Floor     |
| NO: IHE, takfeste                      | NO: Brennbart materiale           | NO: Gulv      |
| FR: IHE, console de montage au plafond | FR: Matériau inflammable          | FR: Sol       |
| RU: IHE, скоба потолочного крепления   | RU: Легковоспламеняемые материалы | RU: Пола      |
| DE: IHE, Decken-halterung              | DE: Entflammbares Material        | DE: Boden     |
| PL: IHE, uchwyt sufitowy               | PL: Materiał łatwopalny           | PL: Podłoga   |
| ES: IHE, soporte de techo              | ES: Material inflamable           | ES: Suelo     |
| NL: IHE, plafond-beugel                | NL: Brandbaar materiaal           | NL: Vloer     |
| IT: IHE, staffa a soffitto             | IT: Materiali infiammabili        | IT: Pavimento |

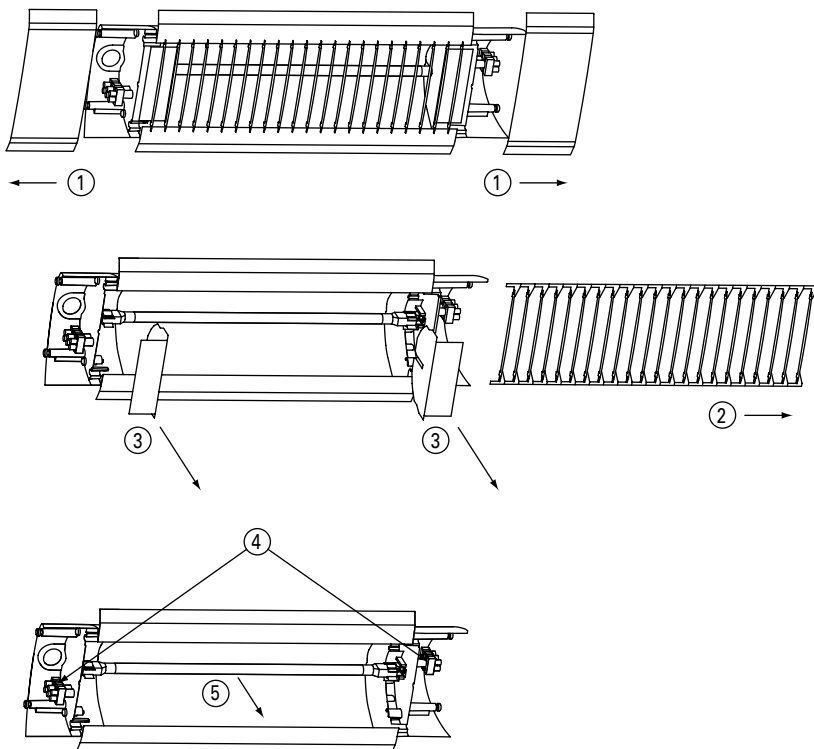
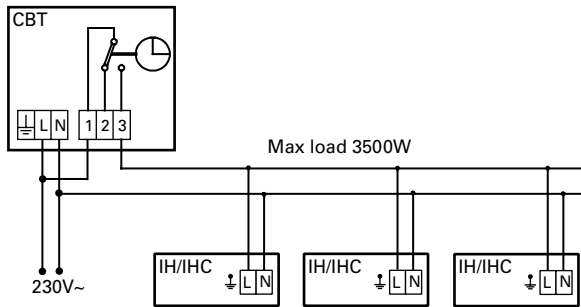


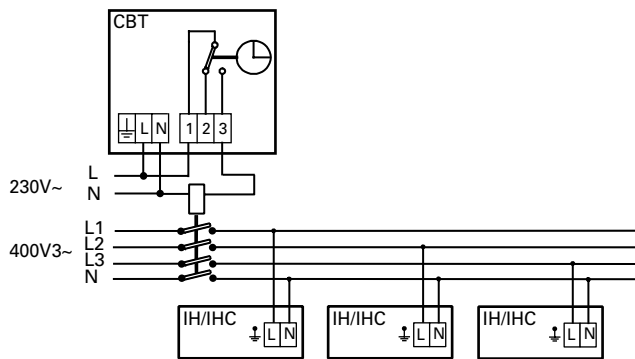
Fig. 4: Replacing the carbon lamp

# Wiring diagrams IHC

## Timer control



## Timer control with contactor



# IHC

## Technical specifications | Carbon infrared heater IHC with wide heat distribution, installation height 2 - 3 m <sup>1</sup>

Type	E-nr (SE)	EL-nr (NO)	Heat output (1) [W]	Voltage (2) [V]	Amperage (3) [A]	Max. filament temperature (4) [°C]	Length (5) [mm]	Weight (6) [kg]
IHC12	85 700 07	54 911 05	1150	230V~	5,0	1200	500	1,9
IHC18	85 700 08	54 911 06	1750	230V~	7,6	1200	676	2,5

Protection class IHC: (IP44), splash-proof design.

CE compliant.

(1)

SE: Effekt  
GB: Output  
NO: Effekt  
FR: Puissance  
RU: Выходная мощность  
DE: Abgabe  
PL: Moc  
FI: Teho  
ES: Potencia

(4)

SE: Maximal yttemperatur  
GB: Max. surface temperature  
NO: Maksimal overflatetemp.  
FR: Température de surface  
RU: Max. темпер. греющ. поверх.  
DE: Max. Oberflächentemperatur  
PL: Max. temperatura powierzchni grzewczej  
FI: Maks. pintalämpötila  
ES: Máxima temperatura de superficie

(2)

SE: Spänning  
GB: Voltage  
NO: Spenning  
FR: Tension  
RU: Напряжение  
DE: Spannung  
PL: Napięcie  
FI: Jännite  
ES: Tensión

(5)

SE: Längd  
GB: Length  
NO: Lengde  
FR: Longueur  
RU: Длина  
DE: Länge  
PL: Długość  
FI: Pituus  
ES: Longitud

(3)

SE: Ström  
GB: Amperage  
NO: Strøm  
FR: Intensité  
RU: Сила тока  
DE: Strom  
PL: Natężenie prądu  
FI: Virranvoimakkuus  
ES: Intensidad

(6)

SE: Vikt  
GB: Weight  
NO: Vekt  
FR: Poids  
RU: Вес  
DE: Gewicht  
PL: Waga  
FI: Paino  
ES: Peso

## Installation and operating instructions

### General Instructions

Read these instructions carefully before installation and use. Keep this manual for future reference.

*The product may only be used as set out in the assembly and operating instructions. The guarantee is only valid if the product is used in the manner intended and in accordance with the instructions.*

### Application

Carbon infrared heater IHC produces a gentle and direct heat which together with the soft glow, is ideal for outdoor restaurants where design is important. IHC has a heat distribution best suited for close and slightly higher installations.

Protection class: IP44

### Positioning

The heaters must be placed so that they enclose the area to be heated, see fig. 2. The normal assembly height is 2–3 metres above the ground/floor. A rule of thumb for infrared halogen is that 600–800 W/m<sup>2</sup> increases the experienced temperature by about 10 °C. The output demand can be reduced if the area to be heated is protected. If the area only has a roof, at least 800 W/m<sup>2</sup> should be installed. 600 W/m<sup>2</sup> is sufficient if the area has three walls. For enclosed areas, the output demand must be calculated. Optimum comfort is achieved if the heat is distributed from at least two directions.

We recommend an installation height of 2 - 3 m for IHC.

### Mounting

IHC is mounted on the wall using the bracket, see fig 1. The heater can also be mounted on e.g. a parasol or a post, a suitable U-bolt (not included) is used for this together with the supplied console. IHC can also be mounted in the ceiling. For other mounting alternatives, see accessories.

The heater must be mounted in a horizontal position in order to keep the lamp horizontal. The heater can be directed straight out from the wall or angled up to 45°. For minimum measurements, see fig. 3.

1. Secure the bracket on the wall, see fig. 1.  
Note that the wall bracket must not only be fitted with the screws in the keyhole slots.
2. Remove the screws fixed to the unit's attachment on delivery.
3. Hook the attachment on the bracket.
4. Lock in position with the screws.

Note that the unit must not be placed directly under the permanent wall socket.

### Electrical installation

IHC is equipped with a 0.9 metre cord with plug for connection to an earthed outlet socket.

The connection cord must not rest against the unit as the surface becomes hot or can be hit by thermal radiation. Contact an electrician if the cord needs to be changed. Note that due to the high temperatures in the heater, a cord of the type H05 RN-F 3G1 mm<sup>2</sup> or the like should be used.

In the event of uncertainty contact an electrician.

### Start up (E)

When the unit is used for the first time or after a long period of disuse, smoke or odour may result from dust or dirt that has collected on the element. This is completely normal and disappears after a short time.

### Replacing the carbon lamp

The heat lamp in IHC is of the highest quality and unless it is subjected to mechanical strains in the form of vibrations and impact it will last for a long time. The service life is dependent on the ambient temperature and

how the heater is installed. The lamp must be replaced by an installer or other skilled person.

- Disconnect the power supply.
- Wait until the unit is cold.
- 1. Remove the covers at both ends (four screws).
- 2. Pull the grille to one side.
- 3. Remove both reflector ends (two screws).
- 4. Loosen the connections on the terminal block.
- 5. Pull the lamp out of the lamp holders.
- Check that the replacement lamp has the correct output and voltage.
- Fit the new lamp. Note do not touch the lamp with your fingers, wear gloves or the like.
- The protective tube must be refitted to the cables, so that the cables are not damaged when the grille is fitted.
- Reassemble the unit again.

See fig. 4.

### **Maintenance**

When the unit is used for the first time or after a long period of disuse, smoke or odour may result from dust or dirt that has collected on the element. This is completely normal and disappears after a short time.

The power supply to the unit must be disconnected during all service, repair and maintenance work.

The unit has no moving parts so the maintenance requirement is small, but it must be kept clean and free from dust and dirt. If the reflector is not clean the thermal radiation from the unit will decrease and the heater will become hotter. A large amount of dirt can cause overheating.

The surface of the reflector is sensitive and must be cleaned with care. If the reflector is dirty it must be cleaned or replaced by a specialist.

### **Residual current circuit breaker (E)**

When the installation is protected by means of a residual current circuit breaker, which trips when the appliance is connected, this may be due to moisture in the heating element. When an appliance containing a heater element has not been used for a long period or stored in a damp environment, moisture can enter the element. This should not be seen as a fault, but is simply rectified by connecting the appliance to the mains supply via a socket without a safety cut-out, so that the moisture can be eliminated from the element. The drying time can vary from a few hours to a few days. As a preventive measure, the unit should occasionally be run for a short time when it is not being used for extended periods of time.

**Safety**

- *For all installations of electrically heated products should a residual current circuit breaker 300 mA for fire protection be used.*
- *During operation the surfaces of the unit are hot!*
- *The unit must not be fully or partially covered with inflammable materials, as overheating can result in a fire risk!*
- *This appliance can be used by children aged from 8 years and above and persons with reduced physical, sensory or mental capabilities or lack of experience and knowledge if they have been given supervision or instruction concerning use of the appliance in a safe way and understand the hazards involved. Children shall not play with the appliance. Cleaning and user maintenance shall not be made by children without supervision.*
- *The heater is equipped with a protective grille to prevent contact or to prevent large objects from touching the hot lamp. The unit must not be used without this protective grille.*
- *Ensure that there are no inflammable materials gathered on or close to the heater.*
- *The free space to the inflammable material in the direction of radiation must be at least 1 meter.*
- *Do not place the heater directly under the electrical socket.*
- *The cable and plug must not be placed inside the hot radiant area.*





**Main office**

Frico AB  
Box 102  
SE-433 22 Partille  
Sweden

Tel: +46 31 336 86 00

mailbox@frico.se  
www.frico.se

**For latest updated information and information  
about your local contact: [www.frico.se](http://www.frico.se)**