



Fan heater Panther 6-15

Efficient fan heater for medium size premises

Panther 6-15 is a range of very quiet and efficient fan heaters for stationary use. They are intended for heating and drying in e.g. workshops, sport halls, shops, assembly rooms and drying rooms.

The Panther fan heater has a classic clean design in white enamelled sheet steel.

- Low sound level.
- Supplied with wall bracket that makes it possible to direct the airflow down and to the side.
- To comply with Ecodesign Regulation (EU) 2015/1188 the unit must be installed with thermostat TAP16R (accessory). TAP16R has adaptive start, week program and open window detection.
- Panther 6–15 must be supplemented with control panel PP15N. PP15N is an external control panel (ordered separately) with master-/slave function for up to six units that gives good and simple control. SE135N requires one PP15N per unit.
- Corrosion proof housing made of hot zinc-plate and powder enamelled steel panels. Colour: white, RAL 9016, NCS S 0500-N.

Fan heater Panther 6–15 (IP44)

Type	Output steps [kW]	Airflow [m³/h]	Sound level*1 [dB(A)]	Δt *2 [°C]	Motor [W]	Voltage [V]	Amperage [A]	HxWxD [mm]	Weight [kg]
SE06N	0/3/6	900/1300	39/47	20/14	70	400V3N~	8,7	520x450x510	21
SE09N	0/4,5/9	900/1300	39/47	30/21	70	400V3N~	13	520x450x510	22
SE12N	0/6/12	900/1300	39/47	40/28	70	400V3N~	17,3	520x450x510	22
SE15N	0/7,5/15	900/1300	39/47	50/35	70	400V3N~	21,7	520x450x510	22
SE135N*3	0/5/10 0/7/13,5	900/1300	39/47	34/23 45/31	70	440V3~ 500V3~	13,4 15,6	520x450x510	23

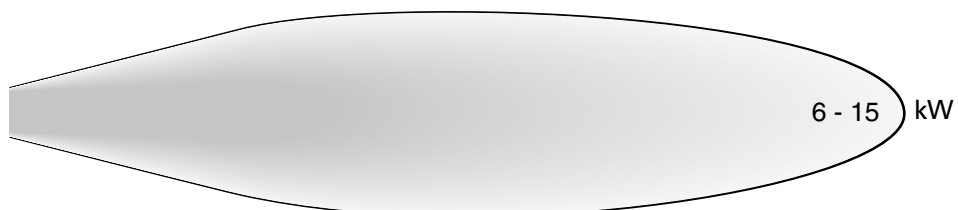
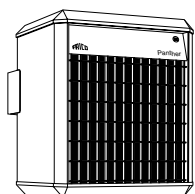
*1) Conditions: Distance to the unit 3 metres. Directional factor: 2. Equivalent absorption area: 200 m². At lowest/highest airflow.

*2) Δt = temperature rise of passing air at maximum heat output and lowest/highest airflow.

*3) Can be connected to 440V3~ and 500V3~.

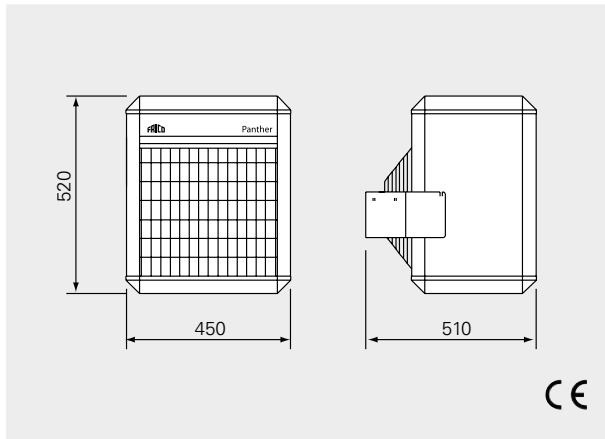
Approved for 380V/3ph/60Hz. Product performance for 380V/3ph/60Hz will differ from stated data.

Air throw

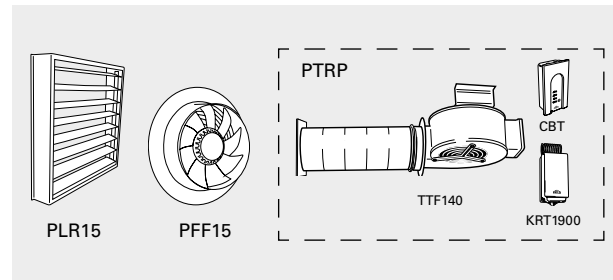


1 2 3 4 5 6 7 8 9 10 11 12 13 14 15 16 [m]

Dimensions



Accessories



Type	Description
PLR15	Air director for SE06 – SE15
PFF15	Exhaust air fan for SE06 – SE15
PTRP	Drying room kit without fan heater

Control options

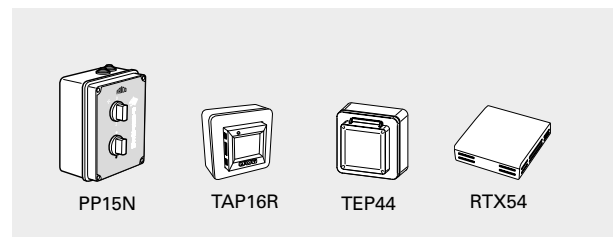
Fan speed and thermostat control

Selection of the operating mode is done using the external control panel. Delay relays between the output groups prevent simultaneous connection.

The fan heater must be installed with thermostat TAP16R which offers adaptive start, week program and open window detection.

- TAP16R, electronic thermostat
- PP15N, control panel, controls up to six units. SE135N requires one PP15N per unit.

The product can be controlled in a different way, e.g. by an overall control system (BMS) as long as the requirements of Ecodesign Regulation are met.



Type	Description	HxWxD [mm]
PP15N	Control box for SE06N – SE15N, IP44	160x120x96
TAP16R	Electronic thermostat, IP21	87x87x53
TEP44	Protective enclosure for TAP16R, IP44	87x87x55
RTX54	External room temperature sensor, IP54	82x88x25

Control options for installations not covered by the Ecodesign Regulation (EU) 2015/1188

Fan speed and thermostat control

Selection of the operating mode is done using the external control panel. Delay relays between the output groups prevent simultaneous connection.

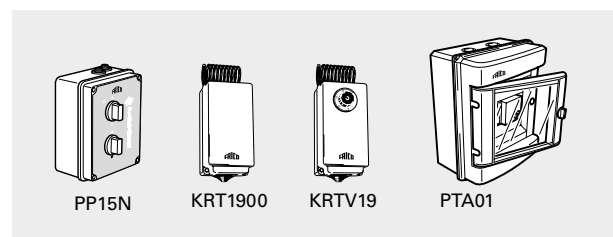
The fan heater should be installed with an external thermostat.

- KRT1900/KRTV19, capillary tube thermostat
- PP15N, control panel, controls up to six units. SE135N requires one PP15N per unit.

Automatic temperature control

The heat can be decreased according to demand, for example at night or weekends. Switches between day and night mode.

- PTA01, automatic temperature control



Type	Description	HxWxD [mm]
PP15N	Control box for SE06N – SE15N, IP44	160x120x96
KRT1900	Capillary tube thermostat, IP55	165x57x60
KRTV19	Capillary tube thermostat with knob, IP44	165x57x60
PTA01	Automatic temperature control, IP55	215x185x115

For mounting, connection, wiring diagrams and other technical information, please see the manual.