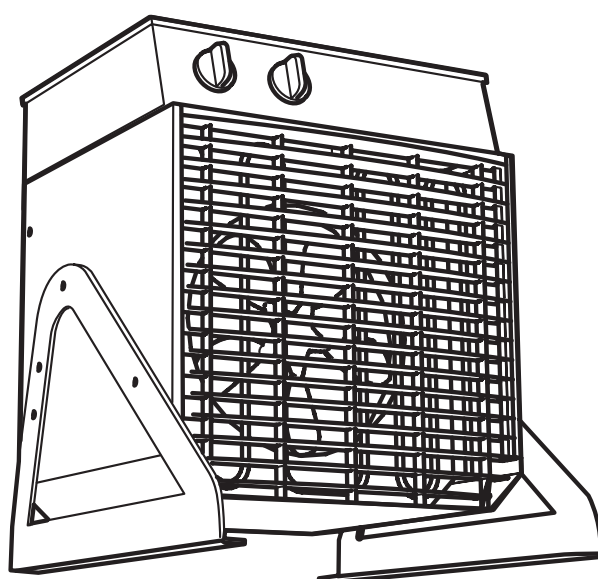


## Elektra F



SE ... 9	GB ... 11	NO ... 13	FR ... 15	DE ... 17	FI ... 19
IT ... 21	NL ... 23	PL ... 25	ES ... 27	RU ... 29	

SE Denna produkt är endast lämpad för välisolerade utrymmen eller sporadisk användning.

GB This product is only suitable for well insulated spaces or occasional use.

NO Dette produktet er bare egnet for velisolerte rom eller sporadisk bruk.

FR Ce produit ne peut être utilisé que dans des locaux bien isolés ou de manière occasionnelle.

DE Dieses Produkt ist nur für gut isolierte Räume oder für den gelegentlichen Gebrauch geeignet.

FI Tämä tuote soveltuu ainoastaan hyvin eristettyihin tiloihin tai satunnaiseen käyttöön.

IT Il presente prodotto è adatto solo a ambienti correttamente isolati o ad un uso occasionale.

NL Dit product is uitsluitend geschikt voor goed geïsoleerde plaatsen of voor incidenteel gebruik.

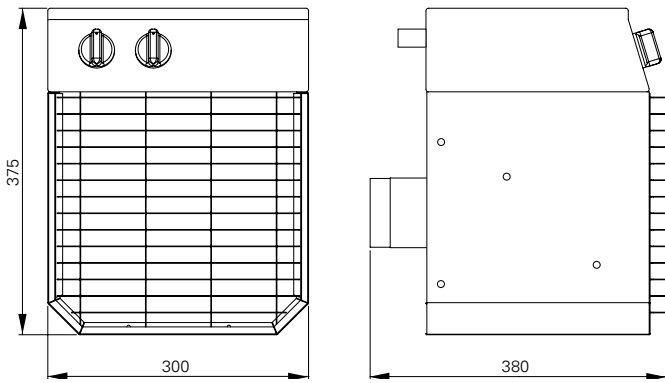
PL Ten produkt jest odpowiedni tylko do sporadycznego użytku lub do stosowania w dobrze izolowanych pomieszczeniach.

ES Este producto está indicado únicamente en lugares abrigados o para una utilización puntual.

RU Прибор пригоден к применению в местах с достаточной степенью теплоизоляции или для периодического обогрева.

# Elektra F

ELF331, ELF623, ELF633



ELF923, ELF933

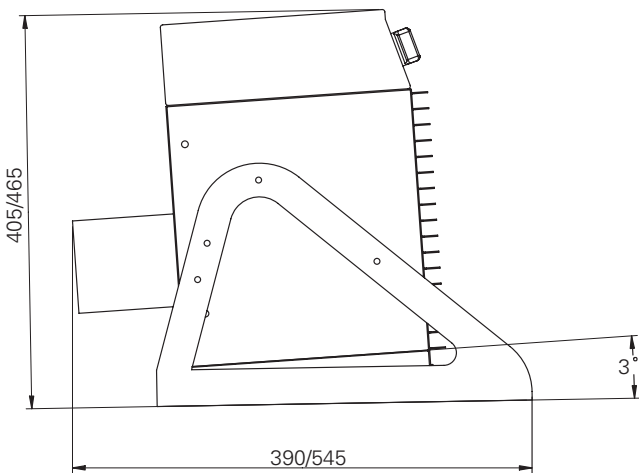
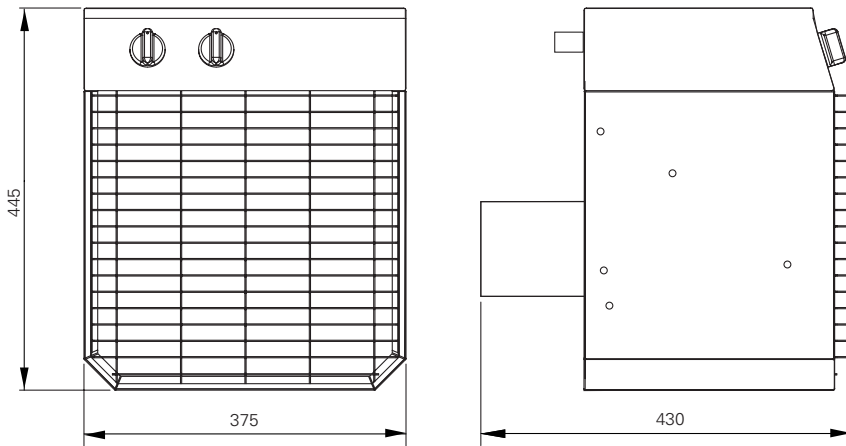


Fig. 1

# Elektra F

## Technical specifications

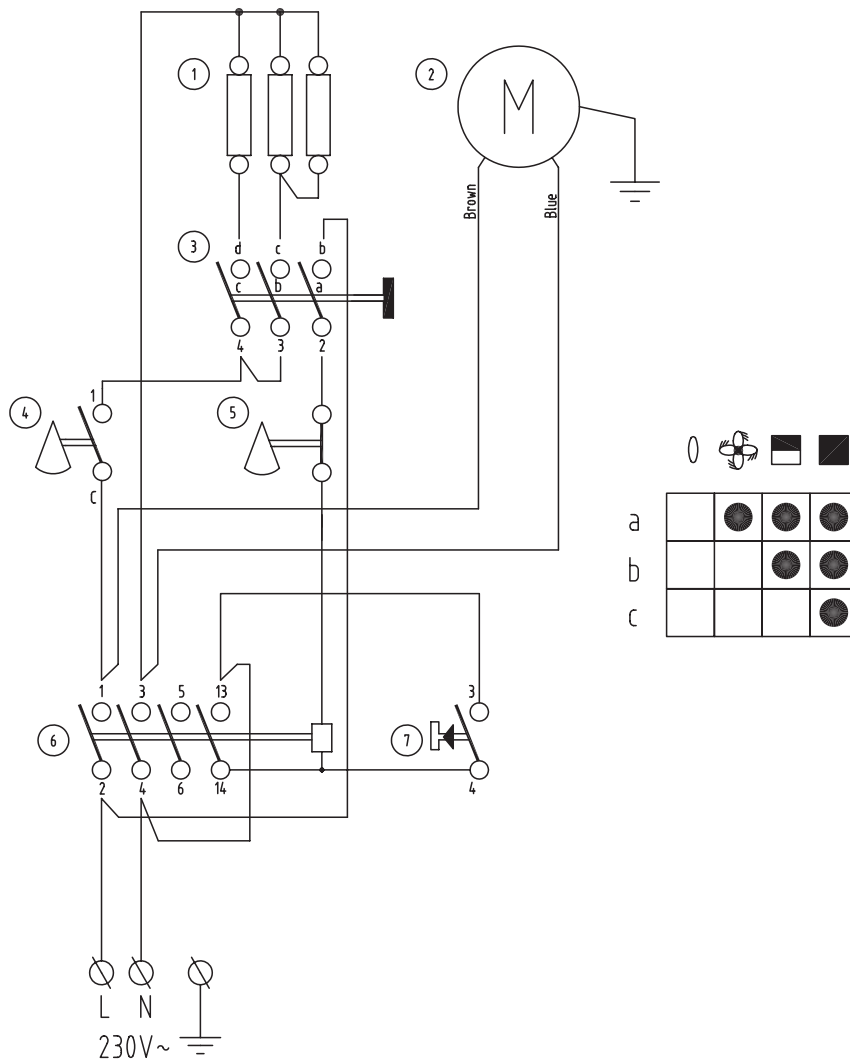
Type	Output* <sup>1</sup> [kW]	Output steps [kW]	Voltage [V]	Amperage [A]	Motor [W]	Airflow [m <sup>3</sup> /h]	Sound level* <sup>3</sup> [dB(A)]	$\Delta t$ * <sup>2</sup> [°C]	Weight [kg]
<b>ELF331</b>	3	0/🌀/2/3	230V~	9,1/13.5	50	400	48 <sup>1)</sup>	21	13
<b>ELF623</b>	6	0/🌀/3/6	230V3~	8.0/15.5	60	700	53 <sup>1)</sup>	24	13
<b>ELF633</b>	6	0/🌀/3/6	400V3~	4.8/9.1	60	700	53 <sup>1)</sup>	24	13
<b>ELF923</b>	9	0/🌀/4.5/9	230V3~	11.6/22.9	80	1000	55 <sup>1)</sup>	25	20
<b>ELF933</b>	9	0/🌀/4.5/9	400V3~	6.7/13.2	80	1000	55 <sup>1)</sup>	25	20

1) Distance to fan: 5 metres.

$\Delta t$  = Temperature rise of passing air at maximum heat output.

# Elektra F

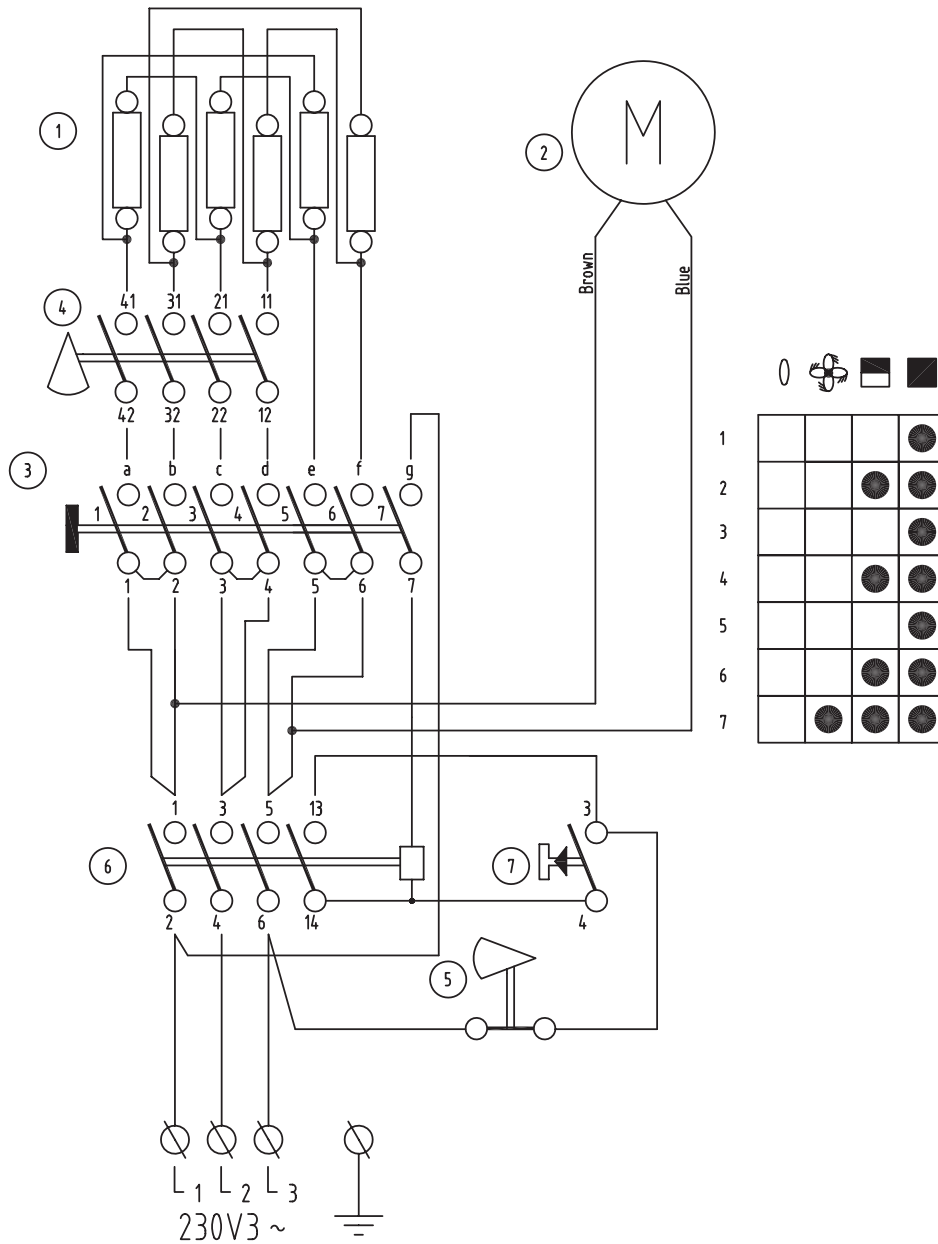
Elektra F 230V~  
ELF331



①	Element/Værmeelement/Element/Elementii/Element/Heizelement/ Verwarmingselement
②	Fläktmotor/Ventilator/Viftemotor/Puhallinmoottori/ Fan motor/ Gebläse motor/Moteur de ventilateur/Ventilatornotor
③	Brytare/Afbryder/Bryter/Katkaisin/Switch/Schalter/Interrupteur/ Schakelaar
④	Termostat/Termostat/Termostat/Termostaatti/Thermostat/Thermost/Thermostat/ Thermostaat
⑤	Överhettningsskydd/Overophedningsbeskytter/Overhettingsvern/Ylikuumenemissuoja/ Overheating cut-out/Überhitzungsschutz/Protection contre la surchauffe/ Overver- hittingsthermostaat
⑥	Kontaktor/Kontaktor/Kontaktor/Kontaktori/Contactor/Schutz/Contacteur/Relais
⑦	Start/Start/Start/Käynnistys/Start/Start/Démarrer/Start

# Elektra F

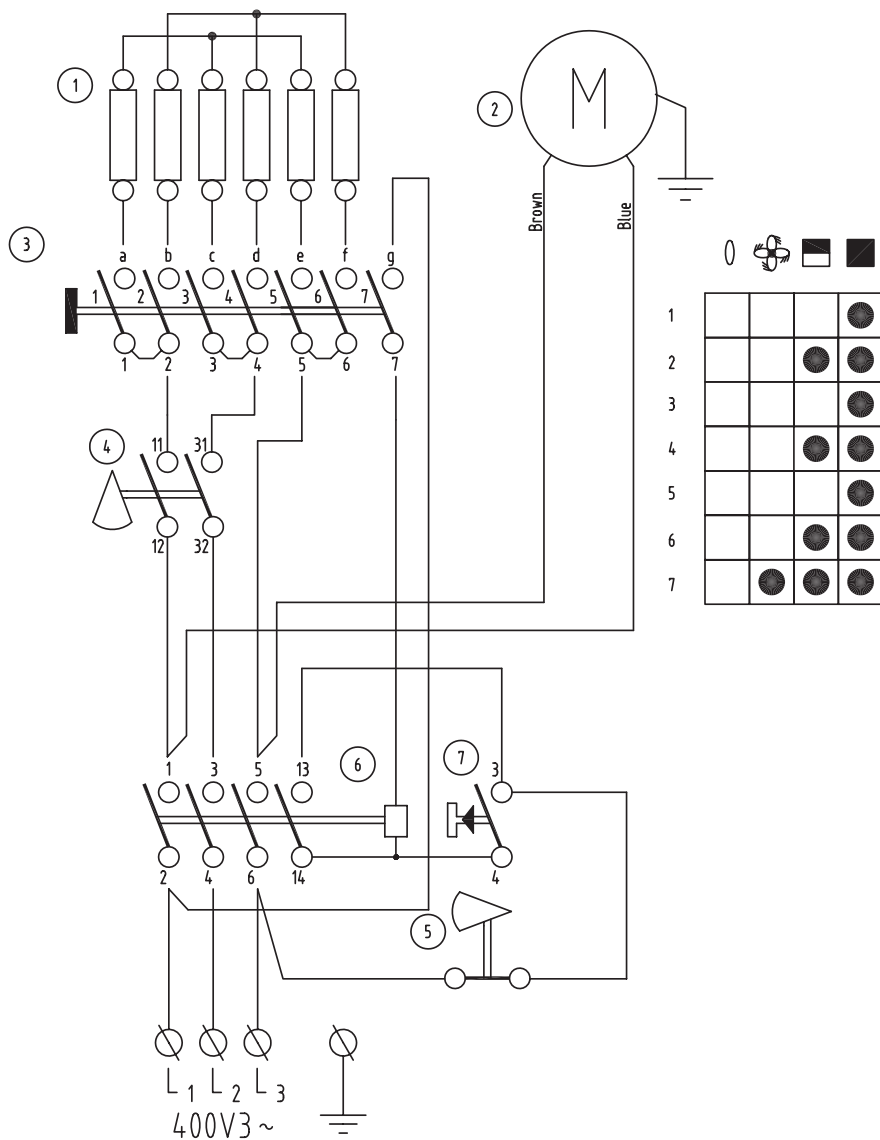
Elektra F 230V3~  
ELF623



①	Element/Værmeelement/Element/Elementii/Element/Heizelement/ Verwarmingselement
②	Fläktmotor/Ventilator/Viftemotor/Puhallinmoottori/ Fan motor/ Gebläse motor/Moteur de ventilateur/Ventilatormotor
③	Brytare/Afbryder/Bryter/Katkaisin/Switch/Schalter/Interrupteur/ Schakelaar
④	Termostat/Termostat/Termostat/Termostaatti/Thermostat/Thermost/Thermostat/ Thermostaat
⑤	Överhettningsskydd/Overophedningsbeskytter/Overhettingsvern/Ylikuumenemissuoja/ Overheating cut-out/Überhitzungsschutz/Protection contre la surchauffe/ Overver- hittingsthermostaat
⑥	Kontaktor/Kontaktor/Kontaktor/Kontaktori/Contactor/Schutz/Contacteur/Relais
⑦	Start/Start/Start/Käynnistys/Start/Start/Démarrer/Start

# Elektra F

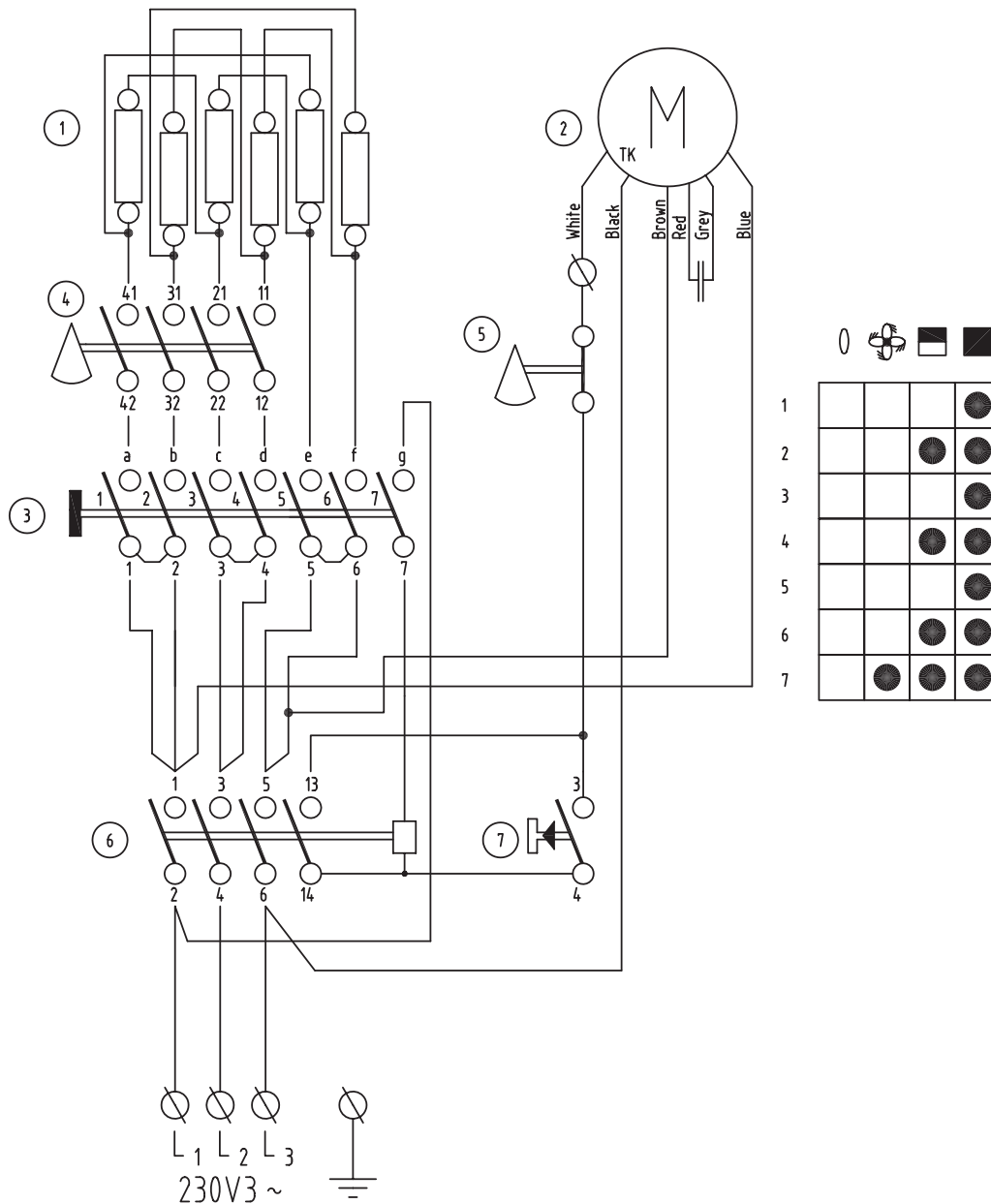
Elektra F 400V3~  
ELF633



①	Element/Værmeelement/Element/Elementii/Element/Heizelement/ Verwarmingselement
②	Fläktmotor/Ventilator/Viftemotor/Puhallinmoottori/ Fan motor/ Gebläse motor/Moteur de ventilateur/Ventilatornotor
③	Brytare/Afbryder/Bryter/Katkaisin/Switch/Schalter/Interrupteur/ Schakelaar
④	Termostat/Termostat/Termostat/Termostaatti/Thermostat/Thermost/Thermostat/ Thermostaat
⑤	Överhettningsskydd/Overophedningsbeskytter/Overhettingsvern/Ylikuumenemissuoja/ Overheating cut-out/Überhitzungsschutz/Protection contre la surchauffe/ Overver- hittingsthermostaat
⑥	Kontaktor/Kontaktor/Kontaktor/Kontaktori/Contactor/Schutz/Contacteur/Relais
⑦	Start/Start/Start/Käynnistys/Start/Start/Démarrer/Start

# Elektra F

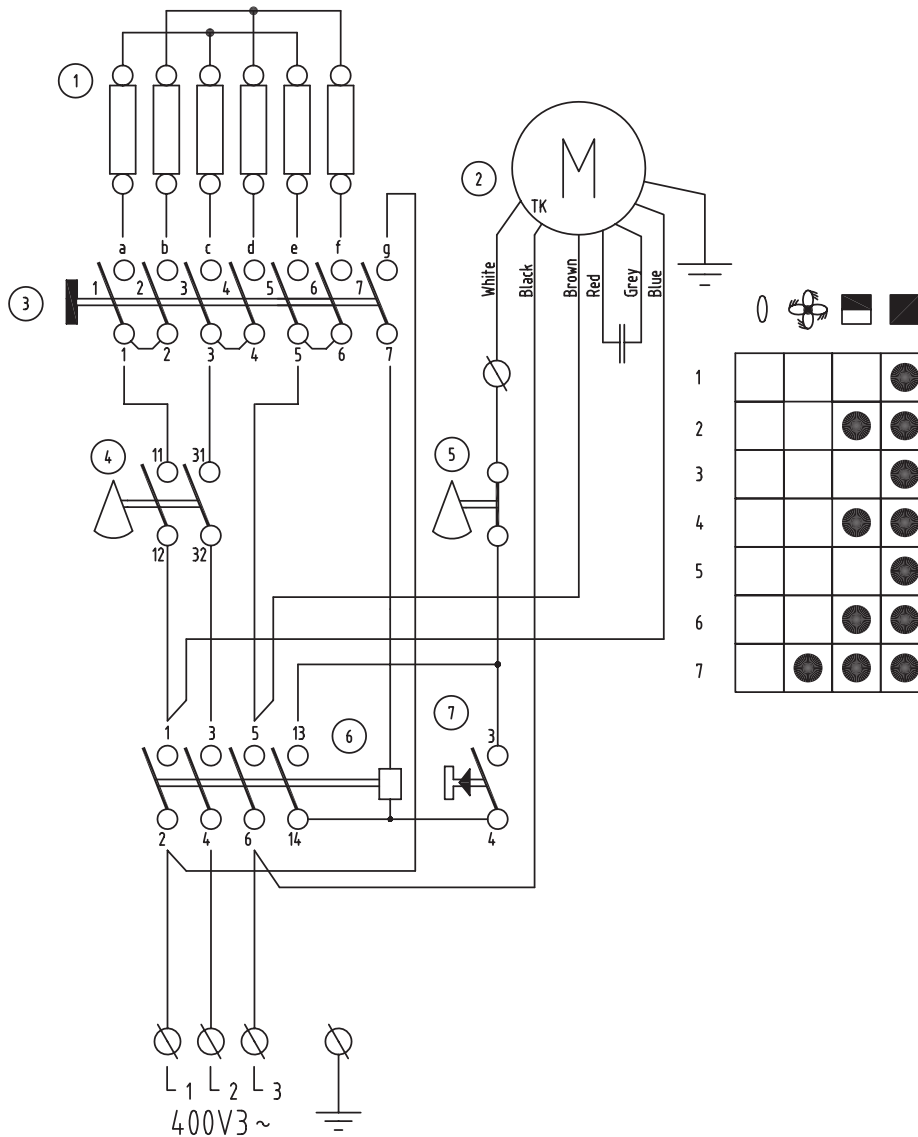
Elektra F 230V3~  
ELF923



①	Element/Værmeelement/Element/Elementii/Element/Heizelement/ Verwarmingselement
②	Fläktmotor/Ventilator/Viftemotor/Puhallinmoottori/ Fan motor/ Gebläse motor/Moteur de ventilateur/Ventilatornotor
③	Brytare/Afbryder/Bryter/Katkaisin/Switch/Schalter/Interrupteur/ Schakelaar
④	Termostat/Termostat/Termostat/Termostaatti/Thermostat/Thermost/Thermostat/ Thermostaat
⑤	Överhettningsskydd/Overophedningsbeskytter/Overhettingsvern/Ylikuumenemissuoja/ Overheating cut-out/Überhitzungsschutz/Protection contre la surchauffe/ Overver- hittingsthermostaat
⑥	Kontaktor/Kontaktor/Kontaktor/Kontaktori/Contactor/Schutz/Contacteur/Relais
⑦	Start/Start/Start/Käynnistys/Start/Start/Démarrer/Start
⑧	Kondensator/Kondensator/Kondensator/Kondensaattori/Capacitor/Kondensator/ Condensator 1,5µF

# Elektra F

Elektra F 400V3~  
ELF933



①	Element/Værmeelement/Element/Elementii/Element/Heizelement/ Verwarmingselement
②	Fläktmotor/Ventilator/Viftemotor/Puhallinmoottori/ Fan motor/ Gebläse motor/Moteur de ventilateur/Ventilatornotor
③	Brytare/Afbryder/Bryter/Katkaisin/Switch/Schalter/Interrupteur/ Schakelaar
④	Termostat/Termostat/Termostat/Termostaatti/Thermostat/Thermost/Thermostat/ Thermostaat
⑤	Överhettningsskydd/Overophedningsbeskytter/Overhettingsvern/Ylikuumenemissuoja/ Overheating cut-out/Überhitzungsschutz/Protection contre la surchauffe/ Overver- hittningsthermostaat
⑥	Kontaktor/Kontaktor/Kontaktor/Kontaktori/Contactor/Schutz/Contacteur/Relais
⑦	Start/Start/Start/Käynnistys/Start/Start/Démarrer/Start
⑧	Kondensator/Kondensator/Kondensator/Kondensaattori/Capacitor/Kondensator/ Condensator 3µF



## Mounting and assembly instruction

### Application area

The fan heater is approved for rooms where there is a risk of fire, such as carpenter's workshops and farms. For portable use.

The fan heater should be installed for easy maintenance and inspection. The heaters are supplied with a flexible cable and a three-phase plug. The fan heater is tested and approved according to the EMC- and SEMKO regulations and is CE compliant.

Protection class: IP65 (unit) / IP44 (plug).

The casing and heating rods are made of stainless steel SS2320.

### Start

Before starting the unit, make sure that the fan, heating rods and protection grille are free from dust and that nothing is obstructing the air flow.

The unit must be restarted with the black button on the front of the unit (or with the start button on the external control panel) if :

- The unit has been shut off
- After power or safety cut-out
- The overheat protection has tripped out

### Operation

The unit is equipped with mechanic thermostat room temperature control and can be used as a local space heater according to Ecodesign Regulation (EU) 2015/1188.

The fan is running constantly unless the output selector is set in 0 position. The heat output is controlled by the built-in thermostat (0 – +35 °C).

The on/off mode, and half or full heat output can be controlled with the output selector on the unit.



Off



Only fan



Fan + half output



Fan + full output

### Mounting

Mount the enclosed brackets according fig. 1 on page 2.

### Overheating

Note! Opening the heater cover should only be done by a qualified installer.

The heater is equipped with an overheat protection with manual reset. If it is released due to overheating, reset as follows:

- Disconnect the power with the fully isolated switch.
- Investigate the matter and repair the fault.
- Reset cut-out by opening the lid and pressing

the red button until a click is heard.

- Put on the lid and make sure that the screws are tightened to ensure full protection.
- Restart with the black button on the front panel

If the fault continues, please contact a qualified technician.

### Safety cut-out

If the installation is protected by means of a safety cut-out, which trips when the appliance is connected to RCD, this may be due to moisture in the heating element. When an appliance containing a heating element, has not been used for a long period and is stored in a damp environment, moisture can enter the element. This should not be seen as a fault, but is simply rectified by connecting the appliance to the mains supply via a socket without a safety cut-out, so that the moisture can be driven out of the element.

The drying time can vary from a few hours to a few days. As a preventive measure the heater should occasionally be run for a short time when it is not being used for an extended period of time.

### Maintenance

Note! Opening the heater cover should only be done by a qualified installer.

Always disconnect the power supply before opening the cover or doing any maintenance work.

The appliance should be cleaned regularly both inside and outside, to prevent overheating and risk of fire but also to guarantee long life of the heater.

Note! To keep the protection class it is very important to tighten the screws properly when the lid is put back again after installation or maintenance. When the screw has reached the rubber gasket, continue another 2 1/2 turns.

**Packaging**

Packaging materials are chosen with consideration to environment and are therefore recyclable.

**Handling of product at end of working life**

The symbol below implies this product may contain substances necessary for functionality of product but potentially dangerous for the environment. The product should not be disposed mixed with general household waste but delivered to a designated collection point for environmental recycling. Please contact local authority for further details of your nearest designated collection point.

**Safety instructions**

Incorrect installation and/or incorrect usage of the fan heater can be hazardous.

**Warning!**

- *Always disconnect the fan heater before opening the cover or doing any electrical work.*
- *Incorrect installation can lead to personal injury.*
- *Opening the heater cover etc should only be done by a qualified installer*
- *This fan heater must not be used next to a shower, bath or swimming pool.*
- *Place the fan heater away from flammable materials*
- *Ensure that the area around the intake and exhaust grille is kept free from material which could obstruct the air flow through the unit!*
- *The unit must not be covered fully or partially with clothes, or similar materials, as overheating can result in a fire risk!*
- *The fan heater is fitted with a cable that, in the event of damage, must be changed by a qualified installer.*
- *This appliance can be used by children aged from 8 years and above and persons with reduced physical, sensory or mental capabilities or lack of experience and knowledge if they have been given supervision or instruction concerning use of the appliance in a safe way and understand the hazards involved. Children shall not play with the*

*appliance. Cleaning and user maintenance shall not be made by children without supervision.*

- *Children of less than 3 years should be kept away unless continuously supervised.*
- *Children aged from 3 years and less than 8 years shall only switch on/off the appliance provided that it has been placed or installed in its intended normal operating position and they have been given supervision or instruction concerning use of the appliance in a safe way and understand the hazards involved.*
- *Children aged from 3 years and less than 8 years shall not plug in, regulate and clean the appliance or perform user maintenance.*

**CAUTION** — Some parts of this product can become very hot and cause burns. Particular attention has to be given where children and vulnerable people are present.

The guarantee is only valid if the units are used in the manner intended by the manufacturer and in accordance with the installation and maintenance instructions.



**Main office**

Frico AB  
Box 102  
SE-433 22 Partille  
Sweden

Tel: +46 31 336 86 00

mailbox@frico.se  
www.frico.se

**For latest updated information and information  
about your local contact: [www.frico.se](http://www.frico.se)**